

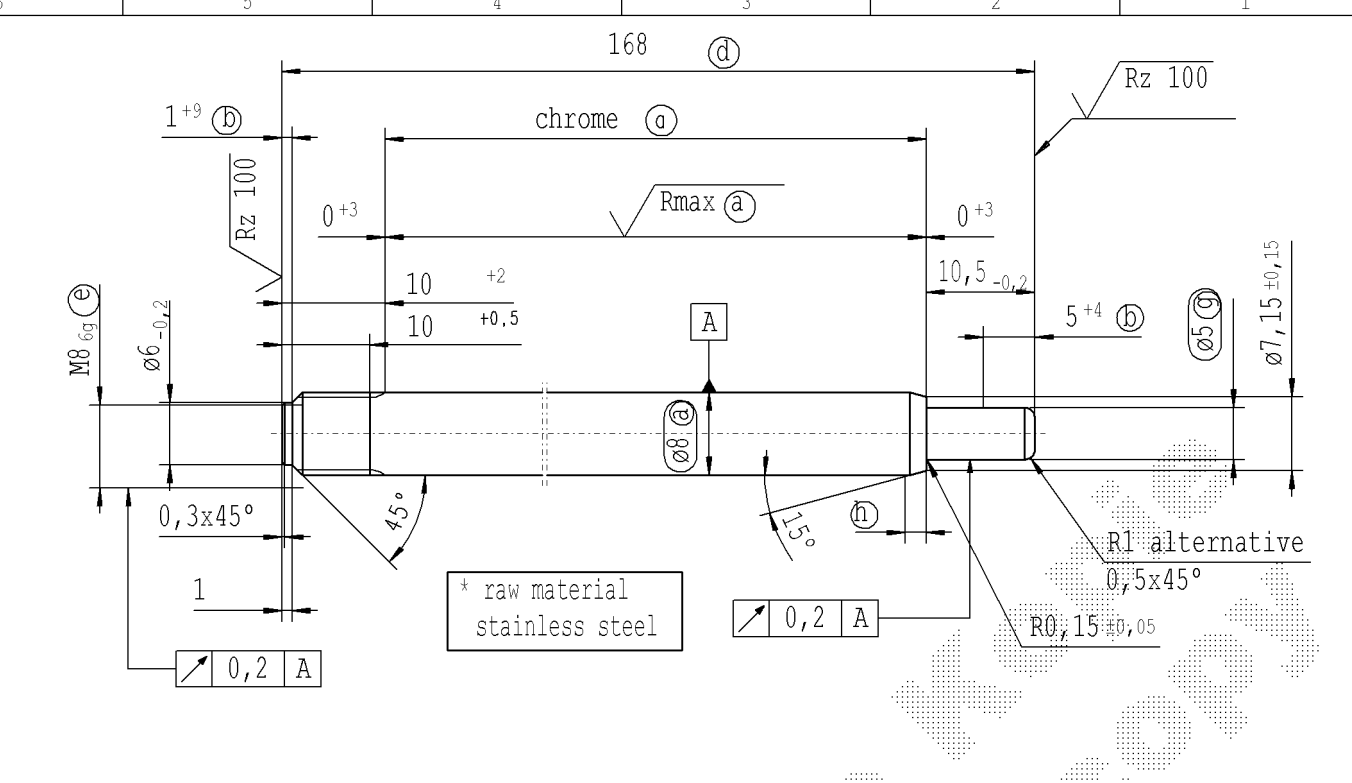
The print-out is not subject to the modification service.

Intended for internal and supplier use

Ecratellatum: 16/3/2023 - 8:56

Ident. Doc.:

supp No.	material no.		A	B
	surface treatment processing acc. to STAB-Spec. 10006248			
	Chrome Tab. XIII	Finishen Tab. XIV		
2	6624ZV		140	10
3	8392ZV		162	10
4	004946	003214	252	10
6	028606		168	10



- (a) piston rod processing acc. to STAB-Spec. 10006248
- (b) chrome free
- (d) tolerance $\pm 0,2$ after turning
 $\pm 0,3$ before straightening
 $\pm 0,3$ after chroming
- (e) threaded stud rough-turned dimension $\varnothing 7,16_{-0,06}$
thread roll tolerance 6g
thread tolerances acc. to DIN ISO 965-3
- (g) stud: $\varnothing 5_{-0,020}^{+0,120}$
- (h) chrome-free max. 2mm qualified layer thickness, no test range

for pay part Cr-surface treatment
surface family: 2016/0674
acc. to STAB-Spec. 10006248 tab. XIII

$\sqrt{Rz 25}$ ($\sqrt{Rz 100}$ $\sqrt{Rmax (a)}$)

sheet 1
of 1

AIAG CQI-standards acc. to STAB-Spec. 10027692										Environmental protection acc. to STAB-Spec. 10005649									
DE: X	EN: X	ES:	IT:	PR:	FR:	RO:	CAD created document handwritten changes not permitted			Material:	All dimensions are in mm		Marking of special characteristics according to STAB-Spec. 10270932		Date	Name			
new	INITIAL RELEASE	A	(D)	0,5x45° alternative Rl	Rl alternative 0,5x45°	Standard.	*raw material stainless steel			mat.No. 4375RB	Scale: (Original DIN A3) 2:1		Dimensions without tolerances DIN ISO 2768-mK		Drawn by	Höfer			
old	-	E	(D)	0,5x45°	0,5x45° alternative Rl	-	-			Edge tolerances acc. to DIN ISO 13715	We reserve all rights to this document, to any patents or patent registrations related hereto, and to the duplication, retransmission by third parties and misc. use. Any use of this document is not permitted without the written consent of STABILUS.		Checked	14.07.2021	Klinkner				
Field	-	3-4		D/1-2	D/1-2	-	D/3-4			Surface finish: DIN EN ISO 1302	Document No.:		10146523						
Date/Name	31.05.2007 Höfer	29.04.08 Hö		28.05.2008 Hein	22.04.2009 Hein	23.07.2018 Höfer	13.07.2021 Hein			Registries:	Material No.:								
Chg. No.	-	565255		565553	571419	668873	698326			STABILUS	PISTON ROD								
Rev.	0	1		2	3	4	5												