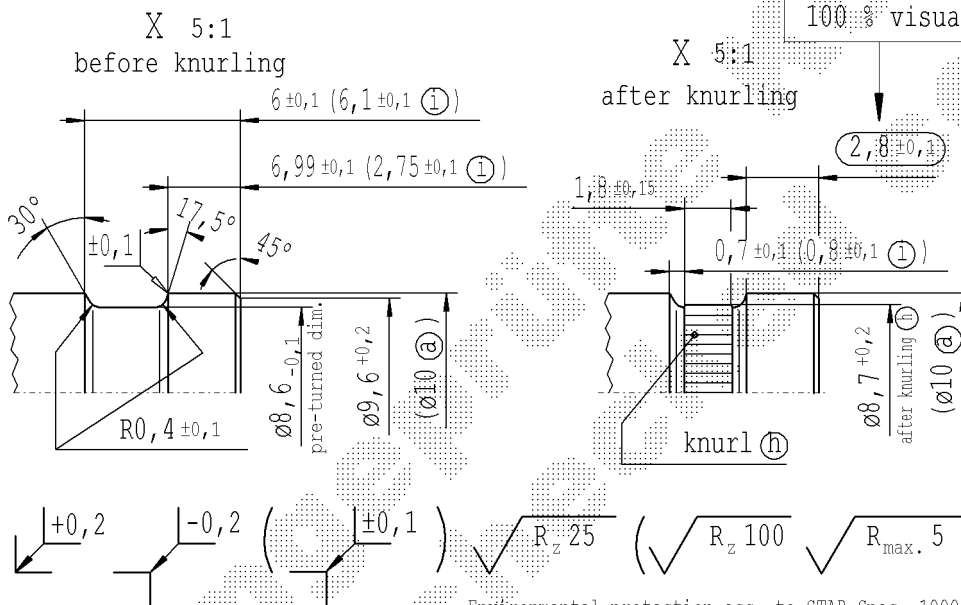
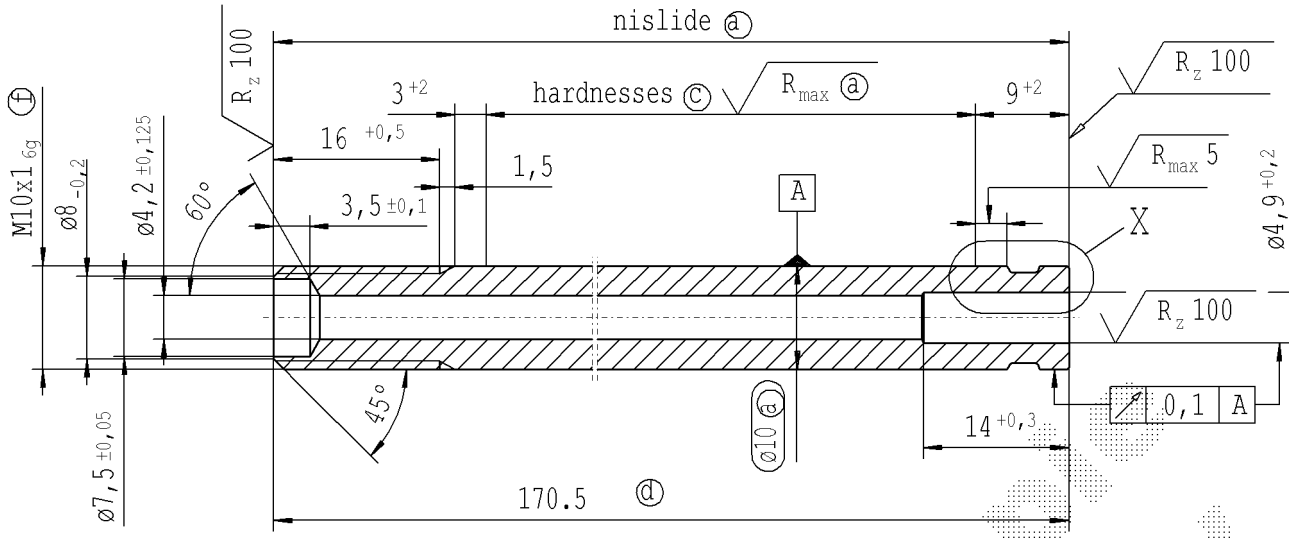


CONFIDENTIAL!
Intended for internal use only

supp. No.	material no.			A	B
	surface treatment processing acc. to STAB-Spec. 10006248				
	table IV Nislid black	table VIII Nislid black	table X Nislid "G"		
51			782987	107.5	16
52			343470	101.5	16
53			061210	134.5	16
55			739972	227.5	16
56			742362	215.5	16
57			747859	155.5	16
58			757419	131.5	16
59	933323			120.0	16
60	149167			188.5	16
61			788731	101.5	20
62			494523	311.5	16
63			631948	136.5	20
64			755512	170.5	16
65			771286	122.5	16
66	869754			173.5	16
67			703651	161.5	16
68			149412	110.5	16



- Ⓐ piston rod processing acc. to STAB-Spec. 10006248
- Ⓑ before grinding: Hardness depth and hardness test acc. to STAB-Spec. 10258370
- Ⓒ tolerance ± 0.1 after turning, ± 0.3 after straightening, ± 0.3 after nisliding
- Ⓓ threaded stud pre-turned dimension $\varnothing 9.29^{+0.05}$, thread roll tolerance 6g, thread tolerances acc. to DIN ISO 965-3
- Ⓔ knurl-profile manufactured with knurl roll DIN 82 - RAA 0,5
- Ⓕ dim. before grinding at piston rod dia. $10.45^{-0.11}$

100% cleanliness of through hole

sheet 3 of 4

Environmental protection acc. to STAB-Spec. 10005649

DE: X	EN: X	ES:	IT:	PR:	FR:	RO: X	Material: material no. 010154	All dimensions are in mm	Marking of special characteristics according to STAB-Spec. 10270932	Date	Name
new	table X	Rumanian Version	Permanent add. inspection 014/01	Ⓒ = acc. STAB-Spec. 10258370	100% cleanliness of through hole	Ⓒ = RHT 0,4 ... 0,7 mm	Scale: (Original DIN A3) 2:1	Dimensions without tolerances DIN ISO 2768 mK	Drawn by	30.01.2001	Kesselheir
old	table IV	-	Temporary add. inspection 014/01	Ⓒ = RHT 0,4 ... 0,7 mm	Temporary add. inspection 014/01	Ⓒ = RHT 0,4 ... 0,7 mm	Edge tolerances acc. to DIN ISO 13715		Checked	08.06.2021	Klinkner
Field	all Mat.Nr.	-	B-C 6	C 7-8	B/5-6		Surface finish acc. to DIN EN ISO 1302		Document No.:	10015662	
Date/Name	04.06.07 Hb	11.02.2009 Geisbüsch	25.03.2019 Höfer	14.05.2019 Jablonski	08.06.2021 Hein		Regulations:		Material No.:		
Chg. No.	556857	571242	671363	678671	677895		STABILUS	PISTON ROD			
Rev.	6	7	8	9	10						