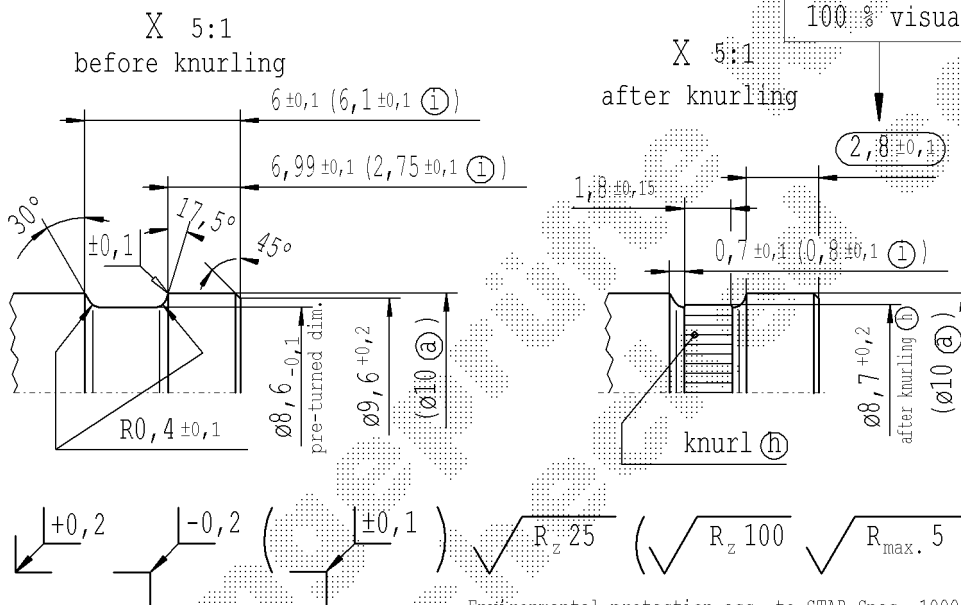
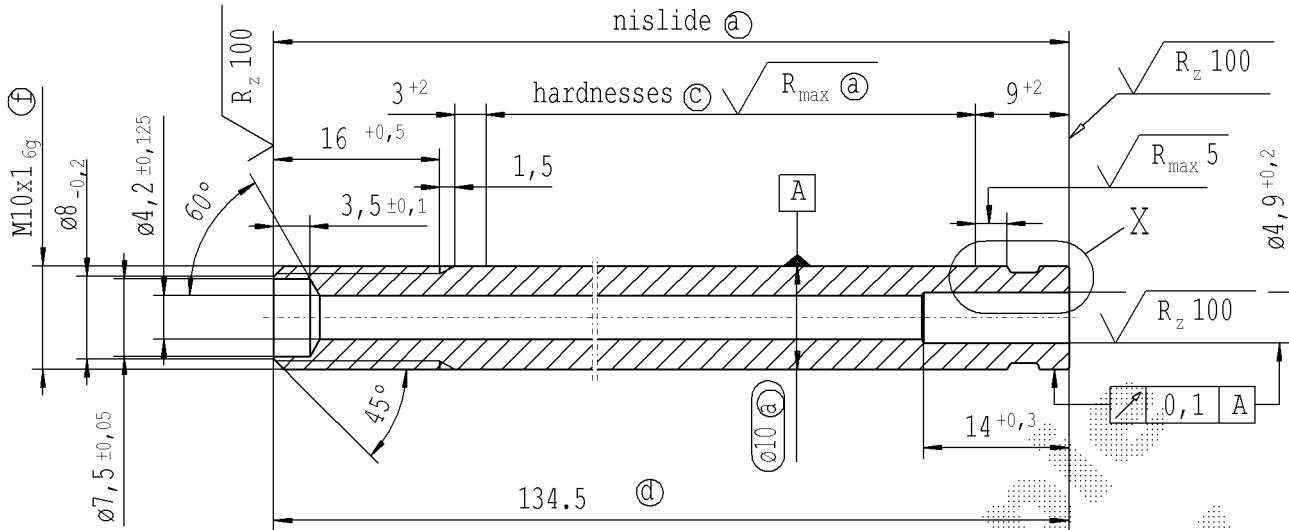


CONFIDENTIAL!
Intended for internal use only

supp. No.	material no.			A	B
	surface treatment processing acc. to STAB-Spec. 10006248				
	table IV Nislide black	table VIII Nislide black	table X Nislide "G"		
51			782987	107.5	16
52			343470	101.5	16
53			061210	134.5	16
55			739972	227.5	16
56			742362	215.5	16
57			747859	155.5	16
58			757419	131.5	16
59	933323			120.0	16
60	149167			188.5	16
61			788731	101.5	20
62			494523	311.5	16
63			631948	136.5	20
64			755512	170.5	16
65			771286	122.5	16
66	869754			173.5	16
67			703651	161.5	16
68			149412	110.5	16



Control dimension!
100% visual checking.

sheet 3
of 4

100% cleanliness
of through hole

Environmental protection acc. to STAB-Spec. 10005649

DE: X	EN: X	ES:	IT:	PR:	FR:	RO: X	CAD created document handwritten changes not permitted		Material:	All dimensions are in mm	Marking of special characteristics according to STAB-Spec. 10270932	Date	Name
new	table X	Rumanian Version	Permanent add. inspection 014/01	⊙ = acc. STAB-Spec. 10258370	100% cleanliness of through hole	material no.: 010154	Scale: (Original DIN A3) 2:1	Dimensions without tolerances DIN ISO 2768 mK	Drawn by	30.01.2001	Kesselhe		
old	table IV	-	Temporary add. inspection 014/01	⊙ = RHT 0,4 ... 0,7 mm	Temporary add. inspection 014/01	Edge tolerances acc. to DIN ISO 13715	We reserve all rights to this document, to any patents or patent registrations related hereto, and to the duplication, retransmission by third parties and misc. use. Any use of this document is not permitted without the written consent of STABILUS.		Checked	08.06.2021	Klinkner		
Field	all Mat.Nr.	-	B-C 6	C 7-8	B/5-6	Surface finish acc. to DIN EN ISO 1302	Document No.:		10015662				
Date/Name	04.06.07 Hb	11.02.2009 Geisbüsch	25.03.2019 Höfer	14.05.2019 Jablonski	08.06.2021 Hein	Regulärer:	Material No.:		10015662				
Chg. No.	556857	571242	671363	678671	677895	STABILUS	PISTON ROD						
Rev.	6	7	8	9	10								