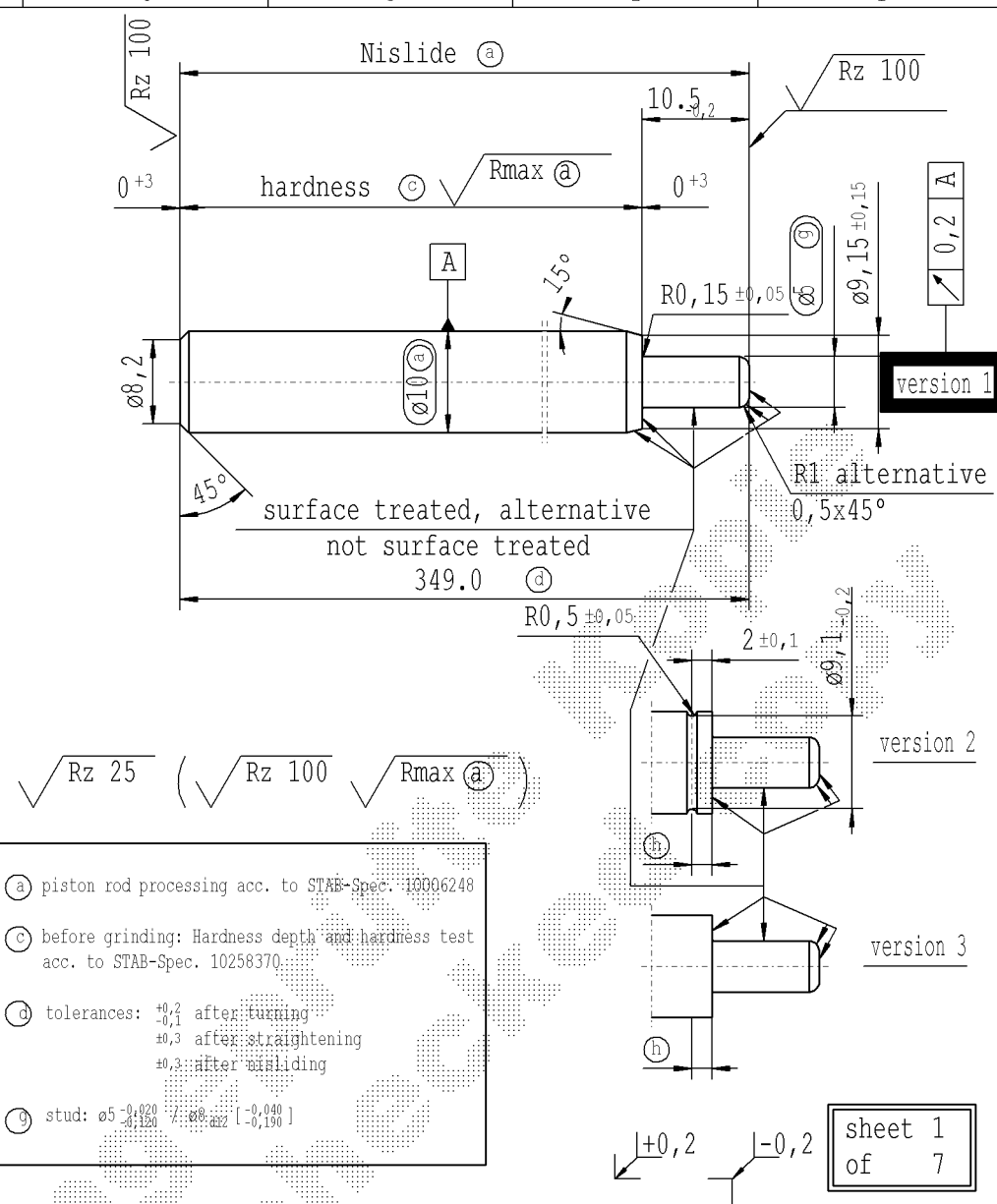


CONFIDENTIAL!  
Intended for internal use only

supp No.	material no.				A	B	C	F	
	surface treatment processing acc. STAB-Spec. 10006248				overall length	stud length piston side	stud ø piston side	version	
	table IV Nislid black	table VIII Nislid black	table V Nislid light	table X Nislid "G"	KOST without surface treatment				
1	1481AU					222.0	10.5	5	1
5	1188AO					303.0	10.5	5	1
7	058424					351.0	10.5	5	1
8	1563AR					348.0	10.5	5	1
10	1942AI					402.0	10.5	5	1
19	384291					350.0	10.5	5	1
20	394556		027383			150.0	10.5	5	1
24				301559		273.0	10.5	5	1
25	202916					273.0	10.5	5	1
26	818208					123.0	10.5	5	1
29	6071KA					231.0	4.5	5	3
31	9553CC					369.0	10.5	5	1
33	340979					120.0	10.5	5	1
34	0225LN					405.0	12.5	8	3
35	394564					300.0	10.5	5	1
36	6647KA					273.0	4.5	5	3
37	1276DC					324.0	10.5	5	1
38	394572					450.0	10.5	5	1
42	8031DJ					87.0	10.5	5	1
43	9843DK		026968			177.0	10.5	5	1
44	292931					207.0	10.5	5	1
45	308447					111.0	10.5	5	1
47				5037NR		129.0	10.5	5	1
48	8629EK					399.0	10.5	5	1
50	436747					252.0	10.5	5	1
51	8878EZ					330.0	10.5	5	1
52	9974ED					465.0	10.5	5	1
54	472700					349.0	10.5	5	1
55	472719					312.0	10.5	5	1



Ident. Doc.: SN 53.11.11#1040#mm: 21/12/2022 - 11:25

DE: X	EN: X	ES: X	IT:	PR:	FR:	RO: X	CAD created document handwritten changes not permitted		
new	Tab.V	0,5x45° alternative R1	R1 alternative 0,5x45°	rom. version created	chrome DOK 10231140	© = acc. STAB-Spec. 10258370			
old	-	0,5x45°	0,5x45° alternative R1	-	-	© = RHT 0,4 .... 0,7 mm			
Field	Tab	D-E/1-2	D-E/1	-	Pos.: 15, 79, 99, 113, 125, 127, 131	C 3-4			
Date/Name	26.05.08 Hö	29.05.2008 K.Marx	11.02.2009 Hein	20.04.2016 Jablonski	27 07 2016 Höfer	08.05.2019 Jablonski			
Chg. No.	565326	565541	571068	636361	615928	678351			
Rev.	30	31	32	33	34	35			

Material:	mat. no.: 010715	All dimensions are in mm	Identification of important characteristics	Drawn by	Date	Name
Edge tolerances acc. to DIN ISO 13715		Scale: (Original DIN A3) 2:1	Dimensions without tolerances DIN ISO 2768-mK	Checked	08.05.2019	Miles
Surface finish acc. to DIN EN ISO 1302		We reserve all rights to this document, to any patents or patent registrations related hereto, and to the duplication, retransmission by third parties and misc. use. Any use of this document is not permitted without the written consent of STABILUS.				Document No.:
Registries:	Zchg.-gt.: Nr. v. 24.10.1997	PISTON ROD				10003855
STABILUS						Material No.:

sheet 1  
of 7