

The print-out is not subject to the modification service.

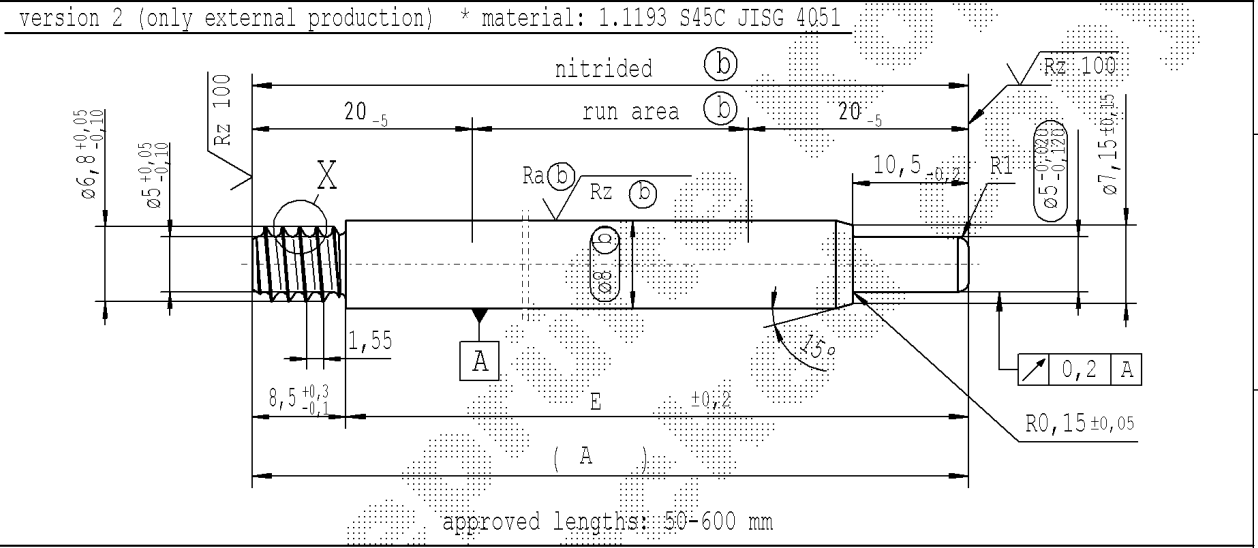
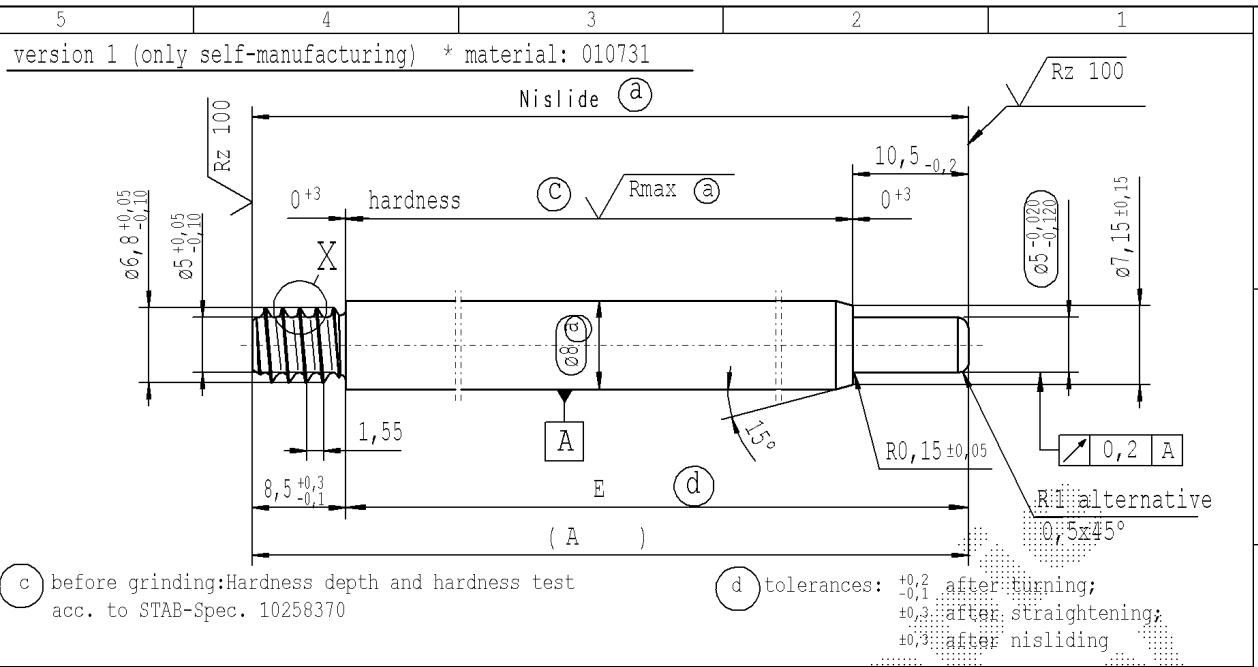
Intended for internal and supplier use

EN

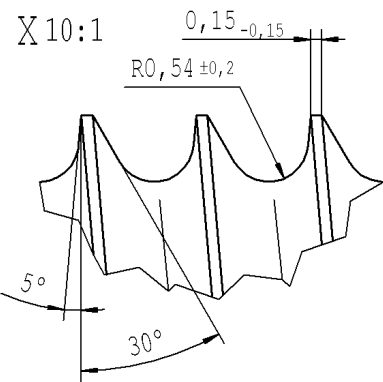
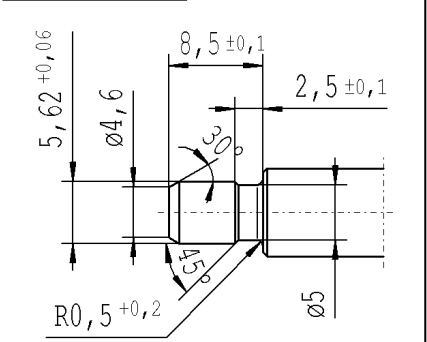
Brevell.datum: 10/11/2020 - 9:35

Ident. Doc.:

| supp No. | material no. | | | A | E |
|----------|-------------------------------|------------------------------|------------------------------|----------------|--------------------------------|
| | 10006248 Tab. IV version 1 | 10006248 Tab. X version 1 | 10028959 Tab. I version 2 | overall length | length without endfitting stud |
| 105 | | 031074 | 031074 | 329.0 | 320.5 |
| 106 | | 032985 | 032985 | 253.5 | 245.0 |
| 107 | | 034886 | 034886 | 183.5 | 175.0 |
| 108 | | 034809 | 034809 | 241.0 | 232.5 |
| 109 | | 034752 | 034752 | 230.0 | 221.5 |
| 110 | | 034634 | 034634 | 281.5 | 273.0 |
| 111 | | 034589 | 034589 | 132.0 | 123.5 |
| 112 | | 033131 | 033131 | 160.0 | 151.5 |
| 113 | | 389604 | 389604 | 204.0 | 195.5 |
| 114 | | 449115 | 449115 | 336.5 | 328.0 |
| 115 | | 452461 | 452461 | 325.0 | 316.5 |
| 116 | 685247 | 685247 | 685247 | 343.5 | 335.0 |
| 117 | | 552363 | 552363 | 207.5 | 199.0 |
| 118 | | 239240 | 239240 | 255.0 | 246.5 |
| 119 | | 097513 | 097513 | 256.5 | 248.0 |
| 120 | | 142206 | 142206 | 111.5 | 103.0 |
| 121 | | 872590 | 872590 | 261 | 252.5 |
| 122 | | 234221 | 234221 | 289.5 | 281.0 |
| 123 | | 908918 | 908918 | 232.5 | 224.0 |



pre-worked: (only self-manufacturing)



| | | | | | | | | | | | | |
|-----------|--------------------------------|-------|------------------|-----|------------------------------|-----|------------------------------|---|----------|--|--|---|
| DE: X | | EN: X | ES: | IT: | PR: X | FR: | RO: X | CAD created document; handwritten changes not permitted | | Material: | Environmental protection acc. to STAB-Spec. 10005649 | |
| new | position of angle 5° corrected | | 60-600 | | © = acc. STAB-Spec. 10258370 | | new format Internal/Supplier | | Tab. X | All dimensions are in mm | | Marking of special characteristics according to STAB-Spec. 10270932 |
| old | wrong position of angle 5° | | 100-600 | | © = RHT 0,4 ... 0,7 mm | | Supplier drawing separately | | Tab. V | Scale: (Original DIN A3) 2:1 | Dimensions without tolerances DIN ISO 2768-mK | |
| Field | C-D/4-5 | | B3 | | B 4-5 | | - | | Pos. 195 | We reserve all rights to this document, to any patents or patent registrations related hereto, and to the duplication, retransmission by third parties and misc. use. Any use of this document is not permitted without the written consent of STABILUS. | | Document No.: 10151065 |
| Date/Name | 28.03.2019 Hein | | 26.04.2019 Höfer | | 15.05.2019 Jablonski | | 22.04.2020 Höfer | | | Material No.: | | |
| Chg. No. | 677185 | | 678147 | | 678682 | | 687145 | | | Material No.: | | |
| Rev. | 18 | | 19 | | 20 | | 21 | | | Material No.: | | |

sheet 6 of 14
 STABILUS PISTON ROD
 Date: 05.12.2007
 Name: Höfer
 Checked: 22.04.2020
 Name: Klinkner