

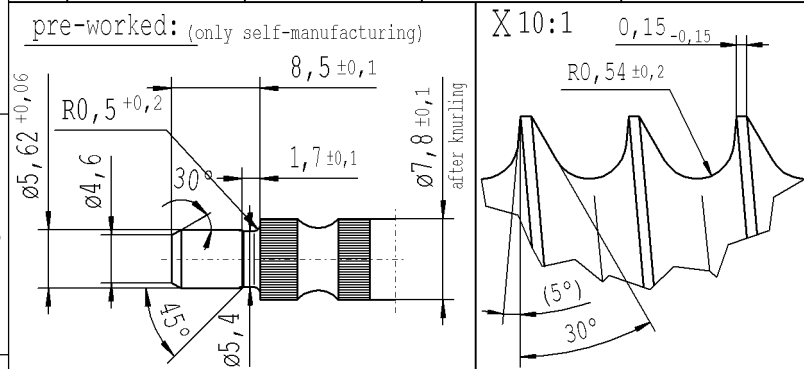
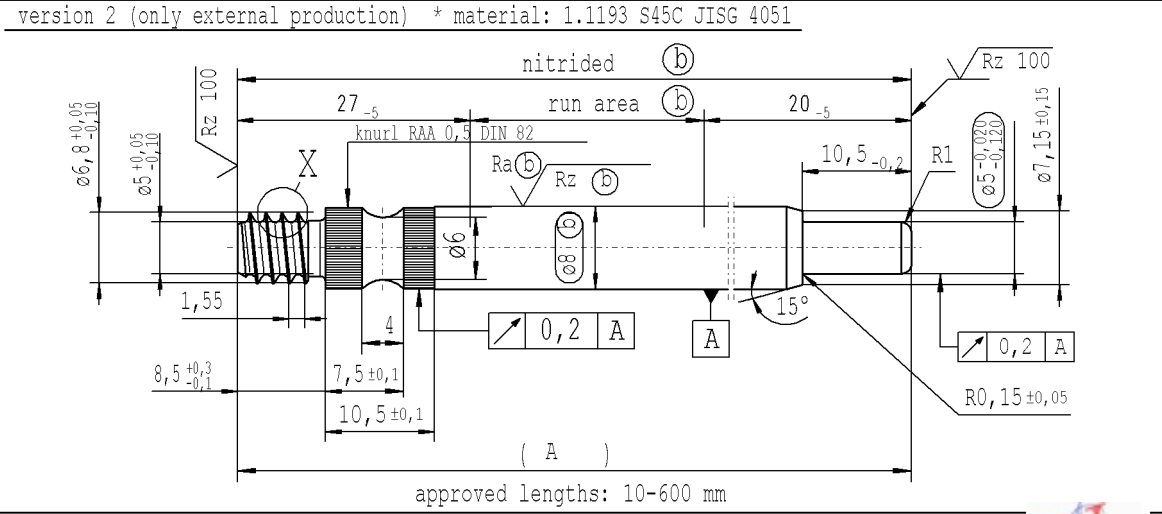
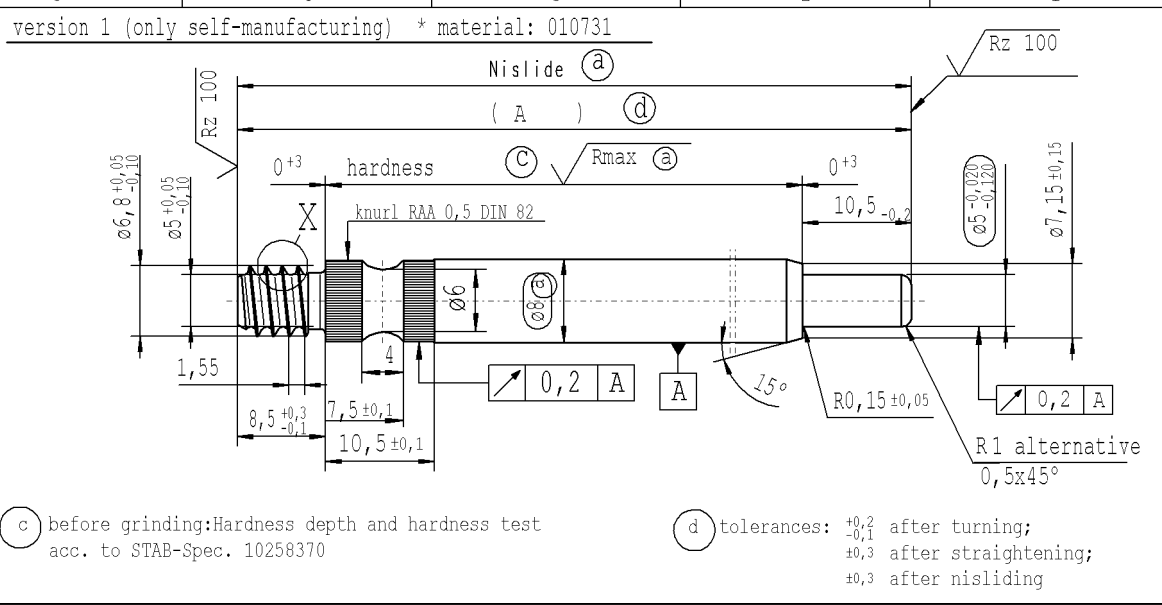
The print-out is not subject to the modification service.

Intended for internal and supplier use

Ident. Doc.: EFFE11.dwg: 24/02/2022 - 13:11

supp No.	material no.			A
	processing and surface treatment acc. to STAB-Spec.			
	10006248 Tab. XVI optimized (a) version 1	10006248 Tab. X (a) version 1	10028959 Tab. I (b) version 2	
21	376239	376239	376239	276.0
22	382931	382931	382931	248.0
23	467537	467537	467537	300.5
24	631491	631491	631491	192.0
25	650611	650611	650611	336.0

xxx	xxxxxxxx	xxxxxxx	xxxxxxxx	258
-----	----------	---------	----------	-----



AIAG CQI-standards acc. to STAB-Spec. 10027692				Environmental protection acc. to STAB-Spec. 10005649							
DE: X	EN: X	ES:	IT:	PR:	FR:	RO: X	Material: *	All dimensions are in mm	Marking of special characteristics according to STAB-Spec. 10270932	Date	Name
new	(5°); no technical change, no new first sample required			Tab XVI; no technical change, no new first sample required				Scale: (Original DIN A3) 2:1	Dimensions without tolerances DIN ISO 2768-mK	05.12.2007	Höfer
old				Tab IV;			Edge tolerances acc. to DIN ISO 13715			16.08.2021	Milles
Field				B/6-7			Surface finish DIN EN ISO 1302	We reserve all rights to this document, to any patents or patent registrations related hereto, and to the duplication, retransmission by third parties and misc. use. Any use of this document is not permitted without the written consent of STABILUS.			
Date/Name				08.04.2021 Hein			Replaces:	Document No.: 10236736			
Chg. No.				696948				Material No.:			
Rev.				3			<b>STABILUS</b>	<b>PISTON ROD</b>			

