

The print-out is not subject to the modification service.

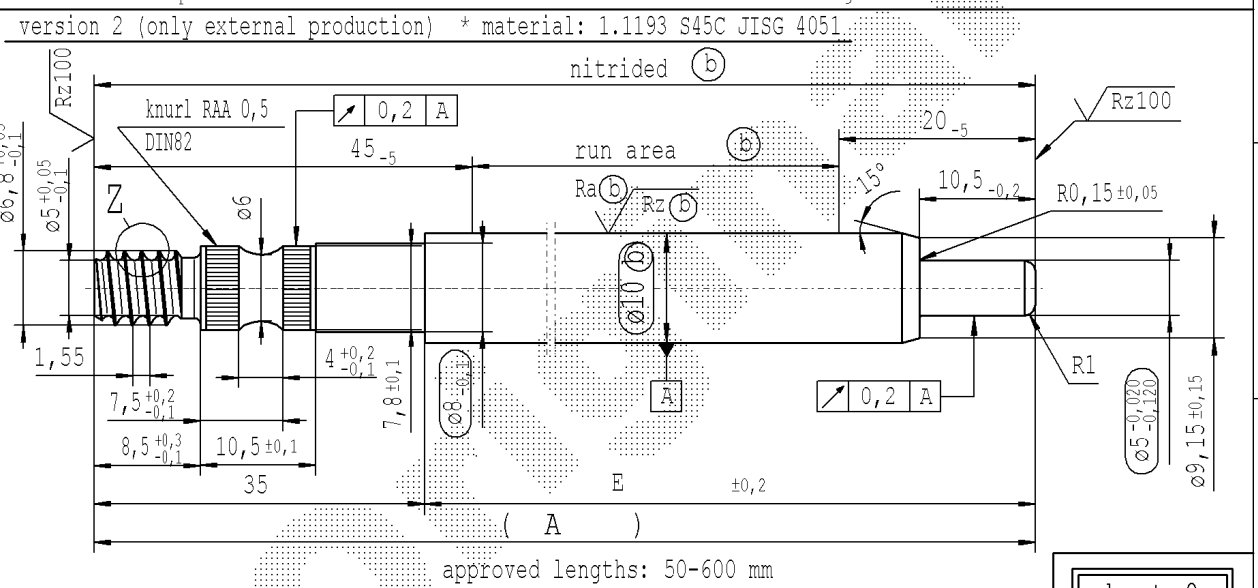
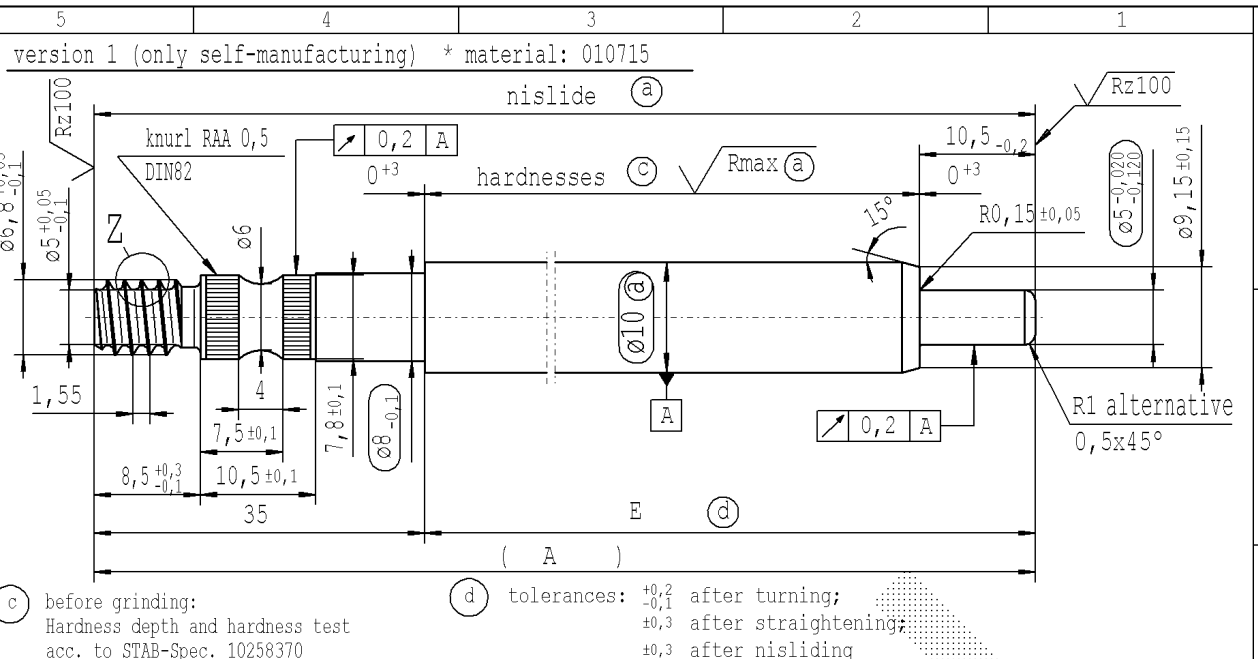
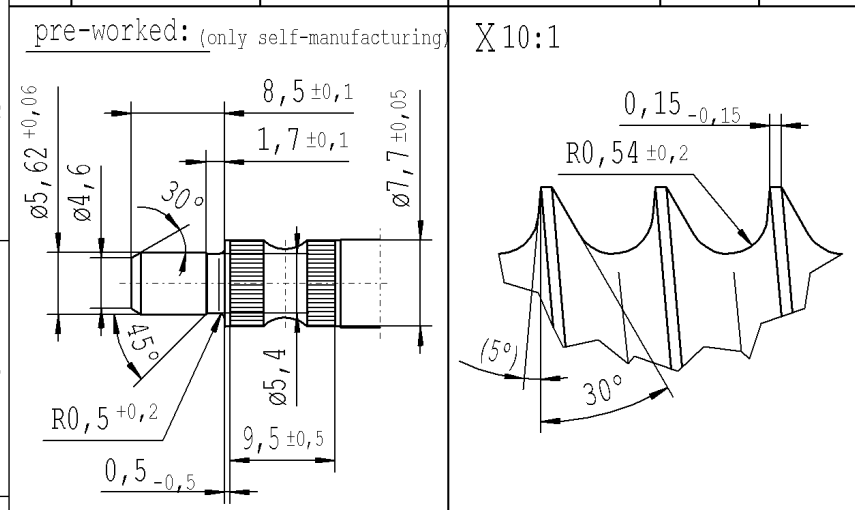
Intended for internal and supplier use

EN

Brevet datus: 14/12/2022 - 6:55

Ident. Doc.:

supp No.	material no.			A	E
	10006248 Tab. IV version 1	10006248 Tab. X version 1	10028959 Tab. I version 2		
17	715140	715140	715140	200	165
18	715618	715618	715618	270	235
19	913988	913988	913988	207	172
20	939083	939083	939083	312	277
21	995965	995965	995965	273	238
22	045224	045224	045224	471	436
23	048570	048570	048570	432	397
24	068168	068168	068168	390	355
25	083703	083703	083703	315	280
26	458455	458455	458455	393	358
27	459411	459411	459411	204	169
28	658978	658978	658978	246	211
29	662802	662802	662802	510	475
30	669016	669016	669016	513	478
31	673557	673557	673557	381	346
32	700564	700564	700564	252	217



AIAG CQI-standards acc. to STAB-Spec. 10027692				Environmental protection acc. to STAB-Spec. 10005649								
DE: X	EN: X	ES:	IT:	PR:	FR:	RO: X	CAD created document; handwritten changes not permitted	Material: *	All dimensions are in mm	Marking of special characteristics according to STAB-Spec. 10270932	Date: 10.05.2021	Name: C.Hein
new	INITIAL RELEASE			$4^{+0,2}_{-0,1}$ / $7,5^{+0,2}_{-0,1}$				Scale: (Original DIN A3) 2:1	Dimensions without tolerances	DIN ISO 2768-mK	Checked: 01.09.2022	Klinkner
old	-			4 / 7,5 ± 0,1				Edge tolerances acc. to DIN ISO 13715				
Field	-			C4 / B5				Surface finish DIN EN ISO 1302				
Date/Name	10.05.2021 Hein			01.09.2022 Jablonski				Replaces:			Document No.: 10293644	
Chg. No.	-			714769							Material No.:	
Rev.	0			1				<b>STABILUS</b>	<b>PISTON ROD</b>			

sheet 2 of 2