

The print-out is not subject to the modification service.

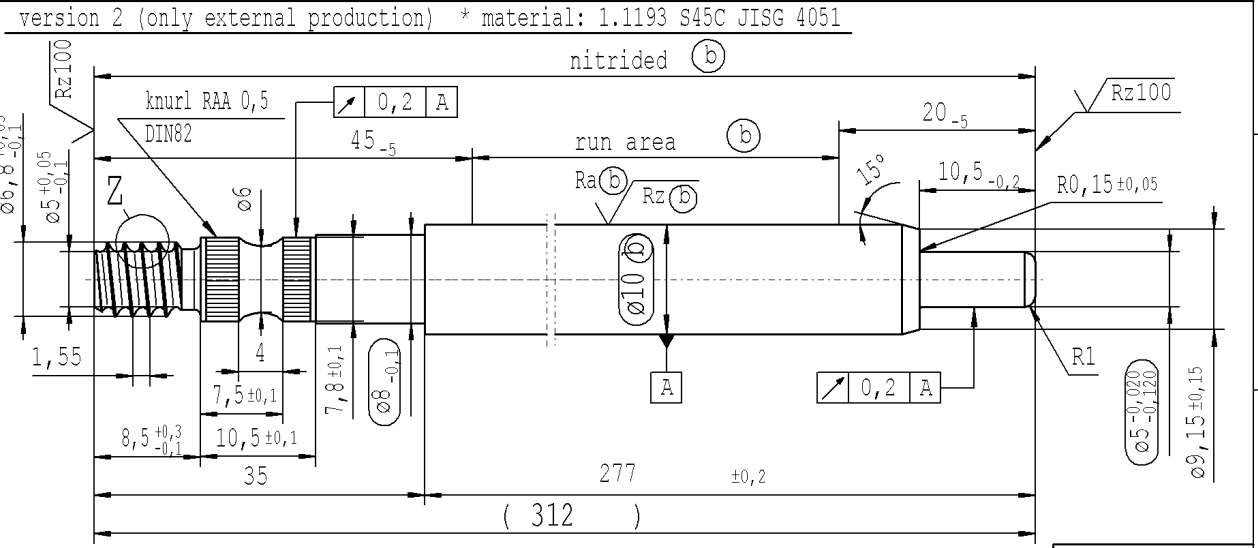
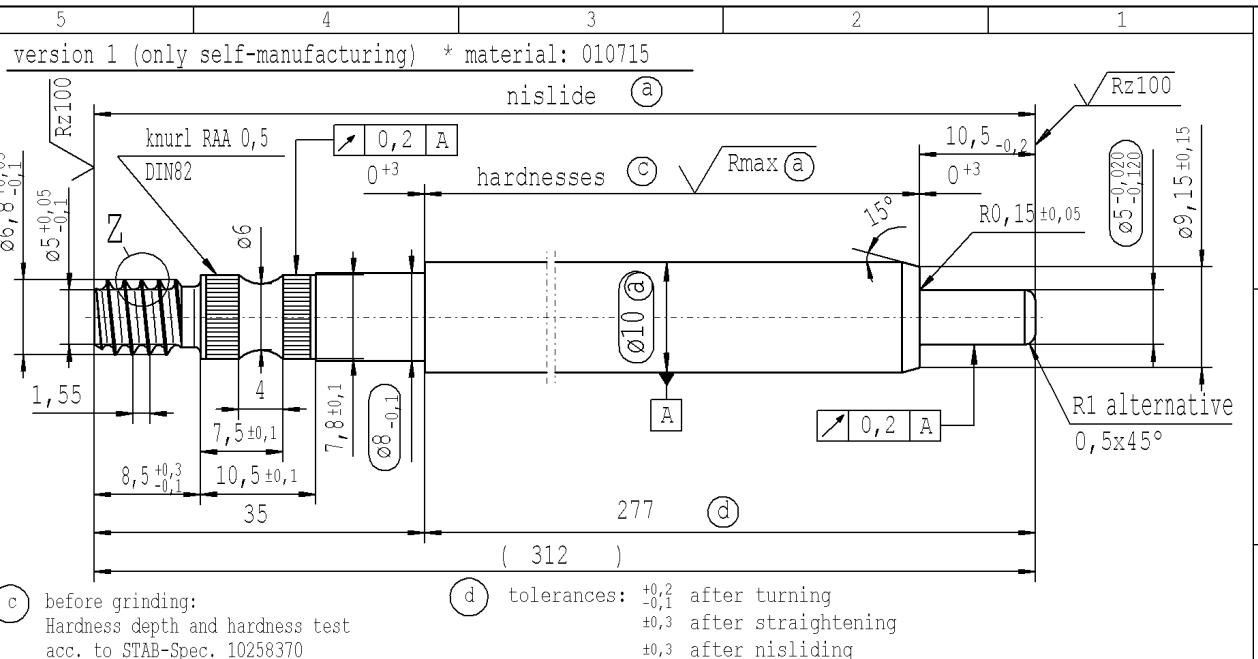
Intended for internal and supplier use

EN

Brevet.datum: 17/5/2022 - 14:37

Ident. Doc.:

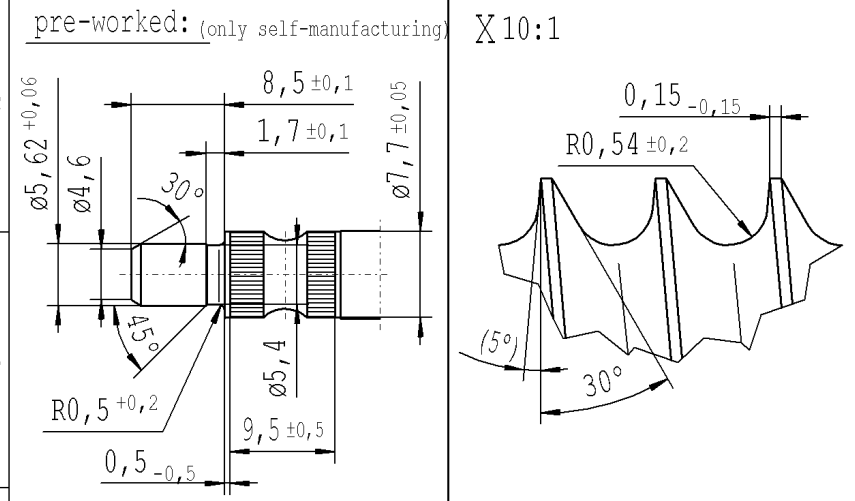
supp No.	material no.			A	E
	10006248 Tab. IV version 1	10006248 Tab. X version 1	10028959 Tab. I version 2	overall length	length without endfitting stud
17	715140	715140	715140	200	165
18	715618	715618	715618	270	235
19	913988	913988	913988	207	172
20	939083	939083	939083	312	277
21	995965	995965	995965	273	238
22	045224	045224	045224	471	436
23	048570	048570	048570	432	397
24	068168	068168	068168	390	355
25	083703	083703	083703	315	280



approved lengths: 50-600 mm

$\sqrt{Rz\ 25}$ ($\sqrt{Rz\ 100}$ \sqrt{Rmax} (a) Ra (b) Rz (b)) \swarrow +0,2 \searrow -0,2

sheet 2
of 2



AIAG CQI-standards acc. to STAB-Spec. 10027692				Environmental protection acc. to STAB-Spec. 10005649								
DE: X	EN: X	ES:	IT:	PR:	FR:	RO: X	CAD created document handwritten changes not permitted	Material: *	All dimensions are in mm	Marking of special characteristics according to STAB-Spec. 10270932	Date: 10.05.2021	Name: C.Hein
new	INITIAL RELEASE							Edge tolerances acc. to DIN ISO 13715	Scale: (Original DIN A3) 2:1	Dimensions without tolerances DIN ISO 2768-mK	Checked: 10.05.2021	Klinkner
old	-							Surface finish DIN EN ISO 1302	We reserve all rights to this document, to any patents or patent registrations related hereto, and to the duplication, retransmission by third parties and misc. use. Any use of this document is not permitted without the written consent of STABILUS.		Document No.: 10293644	
Field	-							Replaces:	STABILUS		Material No.:	
Date/Name	10.05.2021 Hein							PISTON ROD				
Chg. No.	-											
Rev.	0											