

The print-out is not subject to the modification service.

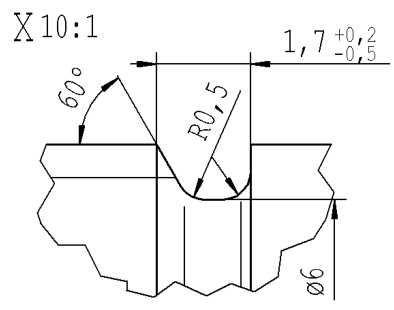
CONFIDENTIAL! Intended for internal and supplier use

EN

B  
Date: 10/17/2024 - 11:57

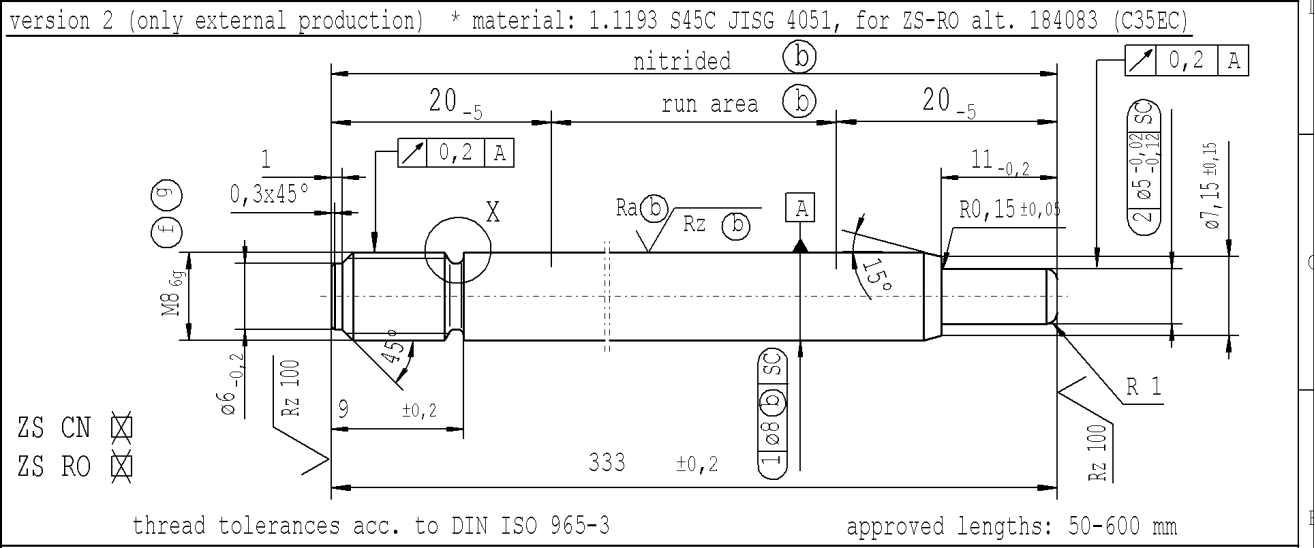
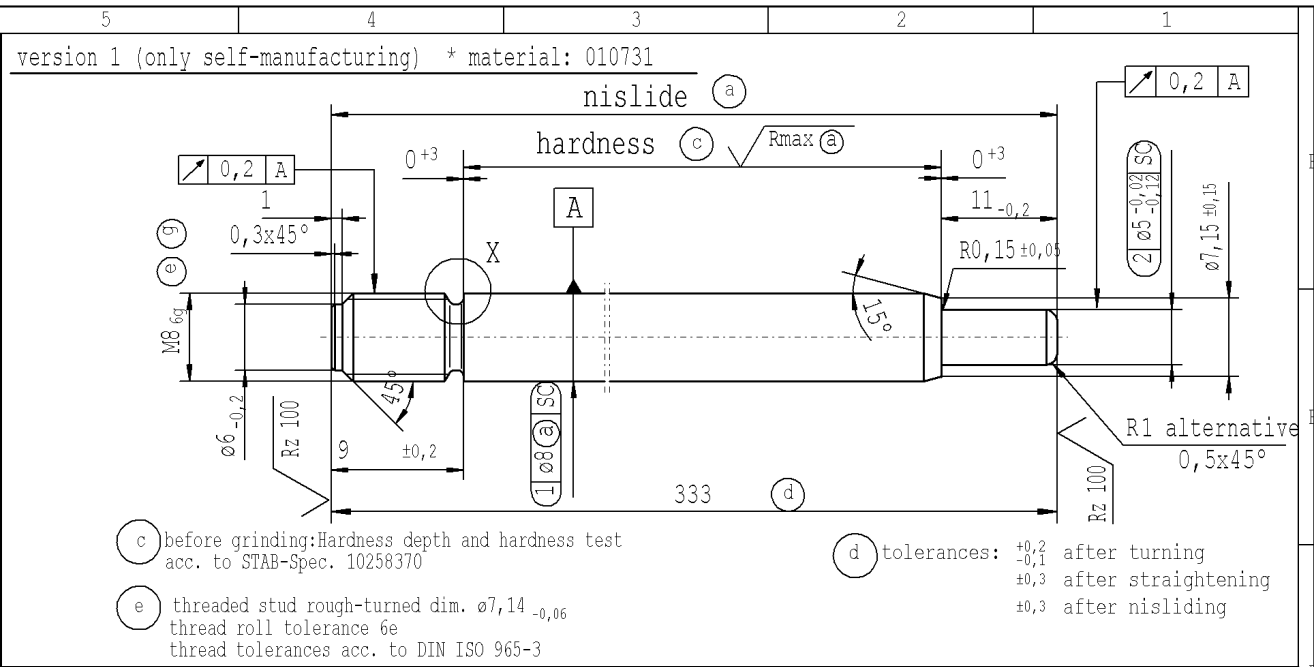
Ident. Doc.:

supp No.	material no.			A	B
	processing and surface treatment acc. to STAB-Spec. optimized			overall length	thread length
	(a) version 1	(a) version 1	(b) version 2		
1	527761	527761	527761	297	9
2	209415	209415	209415	300	9
3	223755	223755	223755	285	9
4	239051	239051	239051	312	9
5	226628	226628	226628	339	9
6	610228	610228	610228	333	9



(f) rough-turned dim. thread roll tolerance 6e

(g) In the final condition, the actual profile of the thread must not exceed the maximum material limit for the tolerance zone position h at any point



$\sqrt{Rz 25}$  ( $\sqrt{Rz 100}$   $\sqrt{Rmax}$  (a)  $Ra$  (b)  $Rz$  (b))  $\swarrow +0,2$   $\searrow -0,2$

sheet 1 of 1

AIAG CQI-standards acc. to STAB-Spec. 10027692				Environmental protection acc. to STAB-Spec. 10005649			
DE: X	EN: X	ES:	IT:	PR:	FR:	RO: X	CAD created document handwritten changes not permitted
new	(f) (g)	version 2 ...., for ZS-RO alt. 184083 (C35EC)			$\phi 5_{-0,02}^{-0,12}$ no technical change, no new first sample required		
old	-	-			$\phi 5_{-0,020}^{-0,120}$		
Field	B/6-7 C/5 F/5		D/1-5		-		
Date/Name	31.07.2023 Jablonski			31.01.2024 Jablonski			
Chg. No.	715961			730244			
Rev.	2			2			
Material: *				All dimensions are in mm			
Edge tolerances acc. to DIN ISO 13715				Marking of special characteristics according to STAB-Spec. 10270932			
Surface finish DIN EN ISO 1302				Scale: (Original DIN A3) 2:1 Dimensions without tolerances DIN ISO 2768-mK			
Replaces:				We reserve all rights to this document, to any patents or patent registrations related hereto, and to the duplication, retransmission by third parties and misc. use. Any use of this document is not permitted without the written consent of STABILUS.			
<b>STABILUS</b>				<b>PISTON ROD</b>			
				Date		Name	
				Drawn by 26.07.2021		Donat	
				Checked 31.01.2024		Klinkner	
				Document No.: 10295805			
				Material No.:			