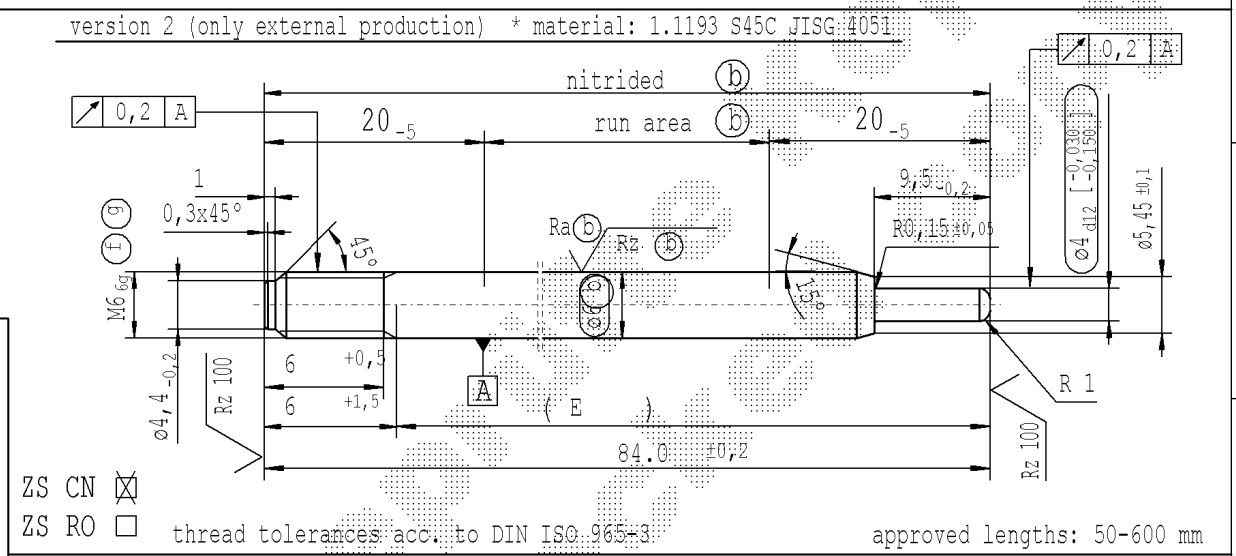
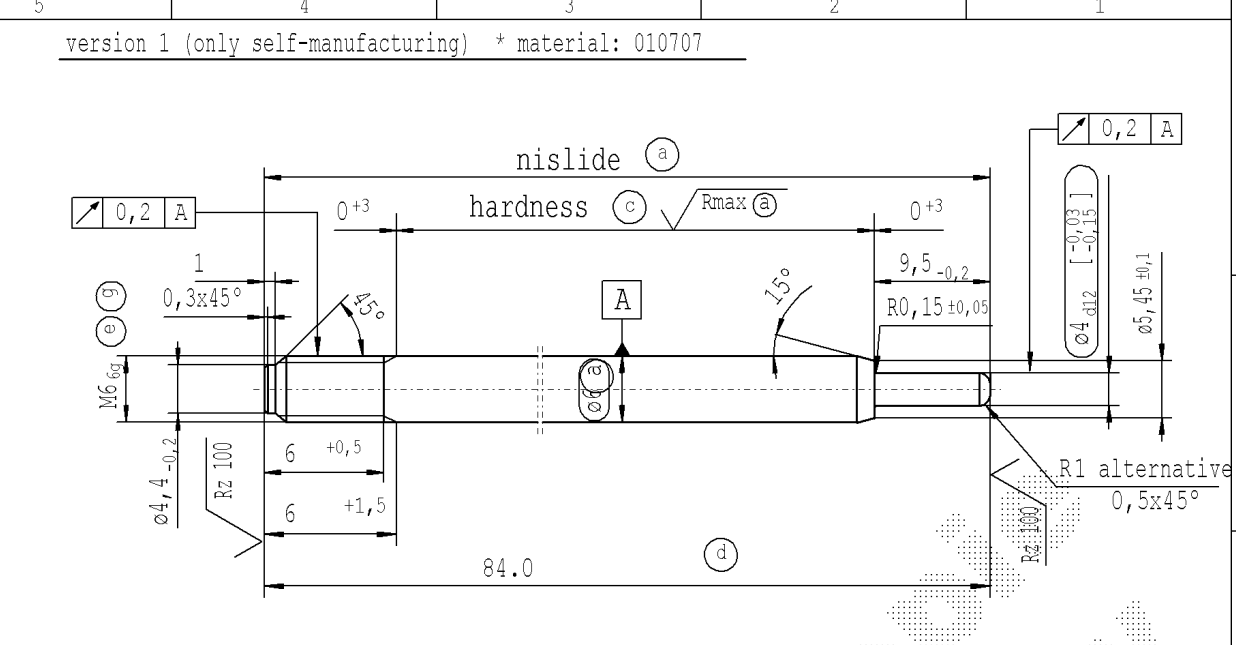


Ident. Doc.: DE: X EN: X ES: IT: PR: FR: RO: X CAD created document handwritten changes not permitted Material: All dimensions are in mm Marking of special characteristics according to STAB-Spec. 10270932 Date 06.06.2012 Name Donat
 new DE: Vordrehmaß ...ø5,29 Tab X deleted, no technical change, no new first sample required ZS CN / ZS RO M6 6g (f) (g) Tab. XVI Tab. X
 old DE: Vordrehmaß ...ø5,19 - - - - - Tab. IV Tab. VIII
 Field D4 - - - - - B-C/5 E-F/5, -
 Date/Name 10.05.2021 Jablonski 02.06.2021 Jablonski 11.10.2022 Hein
 Chg. No. 698020 697821 712940
 Rev. 10 10 11
 sheet 4 of 5
 PISTON ROD
 Material No.: 10190070
 Document No.: 10190070
 We reserve all rights to this document, to any patents or patent registrations related hereto, and to the duplication, retransmission by third parties and misc. use. Any use of this document is not permitted without the written consent of STABILUS.
 Scale: (Original DIN A3) 2:1 Dimensions without tolerances DIN ISO 2768-mK
 Surface Finish: DIN EN ISO 1302
 Edge tolerances acc. to DIN ISO 13715
 Replaces:
 STABILUS
 Environmental protection acc. to STAB-Spec. 10005649
 approved lengths: 50-600 mm
 thread tolerances acc. to DIN ISO 965-3
 ZS CN
 ZS RO

supp No.	material no.			A	B
	version 1	version 1	version 2	overall length	thread length
64	507930	507930	507930	66.0	8.5
65	508408	508408	508408	261.0	26
66	508886	508886	508886	121.5	6
67	509364	509364	509364	180.0	6
68	509842	509842	509842	363.0	13
69	510320	510320	510320	168.0	6
70	510798	510798	510798	177.0	6
71	511754	511754	511754	81.0	6
72	512710	512710	512710	153.0	6
73	513188	513188	513188	195.0	10
74	525138	525138	525138	60.0	8.5
75	530396	530396	530396	150.0	6
76	530874	530874	530874	84.0	6
77	531830	531830	531830	138.0	10
78	537805	537805	537805	274.0	6
79	538283	538283	538283	76.5	6
80	337524	337524	337524	339.0	16
81	746455	746455	746455	294.0	10
82	202014	202014	202014	228.0	8.5
83	204643	204643	204643	228.0	6



Environmental protection acc. to STAB-Spec. 10005649

Material: *
 All dimensions are in mm
 Marking of special characteristics according to STAB-Spec. 10270932
 Scale: (Original DIN A3) 2:1
 Dimensions without tolerances DIN ISO 2768-mK
 We reserve all rights to this document, to any patents or patent registrations related hereto, and to the duplication, retransmission by third parties and misc. use. Any use of this document is not permitted without the written consent of STABILUS.
 Date 06.06.2012 Name Donat
 Checked 11.10.2022 Klinkner
 Document No.: 10190070
 Material No.: 10190070

(c) before grinding: Hardness depth and hardness test acc. to STAB-Spec. 10258370
 (d) tolerances: $\begin{matrix} +0,2 \\ -0,1 \end{matrix}$ after turning
 $\begin{matrix} +0,2 \\ -0,2 \end{matrix}$ after straightening
 $\begin{matrix} +0,2 \\ -0,2 \end{matrix}$ after nisliding
 (e) threaded stud rough-turned dim. $\phi 5,29_{-0,06}$ thread roll tolerance 6e acc. to DIN ISO 965-3
 (f) rough-turned dim. thread roll tolerance 6e
 (g) In the final condition, the actual profile of the thread must not exceed the maximum material limit for the tolerance zone position h at any point

DE: X	EN: X	ES:	IT:	PR:	FR:	RO: X	CAD created document handwritten changes not permitted	Material: *	All dimensions are in mm	Marking of special characteristics according to STAB-Spec. 10270932	Date 06.06.2012 Name Donat
new	DE: Vordrehmaß ...ø5,29				Tab X deleted, no technical change, no new first sample required	ZS CN / ZS RO M6 6g (f) (g)	Tab. XVI Tab. X	Edge tolerances acc. to DIN ISO 13715	Scale: (Original DIN A3) 2:1	Dimensions without tolerances DIN ISO 2768-mK	Checked 11.10.2022 Klinkner
old	DE: Vordrehmaß ...ø5,19						Tab. IV Tab. VIII	Surface Finish: DIN EN ISO 1302	We reserve all rights to this document, to any patents or patent registrations related hereto, and to the duplication, retransmission by third parties and misc. use. Any use of this document is not permitted without the written consent of STABILUS.		Document No.: 10190070
Field	D4						B-C/5 E-F/5, -	Replaces:			Material No.: 10190070
Date/Name	10.05.2021 Jablonski				02.06.2021 Jablonski		11.10.2022 Hein				
Chg. No.	698020				697821		712940				
Rev.	10				10		11				