

The print-out is not subject to the modification service.

Intended for internal and supplier use

EN

Brevetle Datum: 6/5/2022 - 9:5

Ident. Doc.:

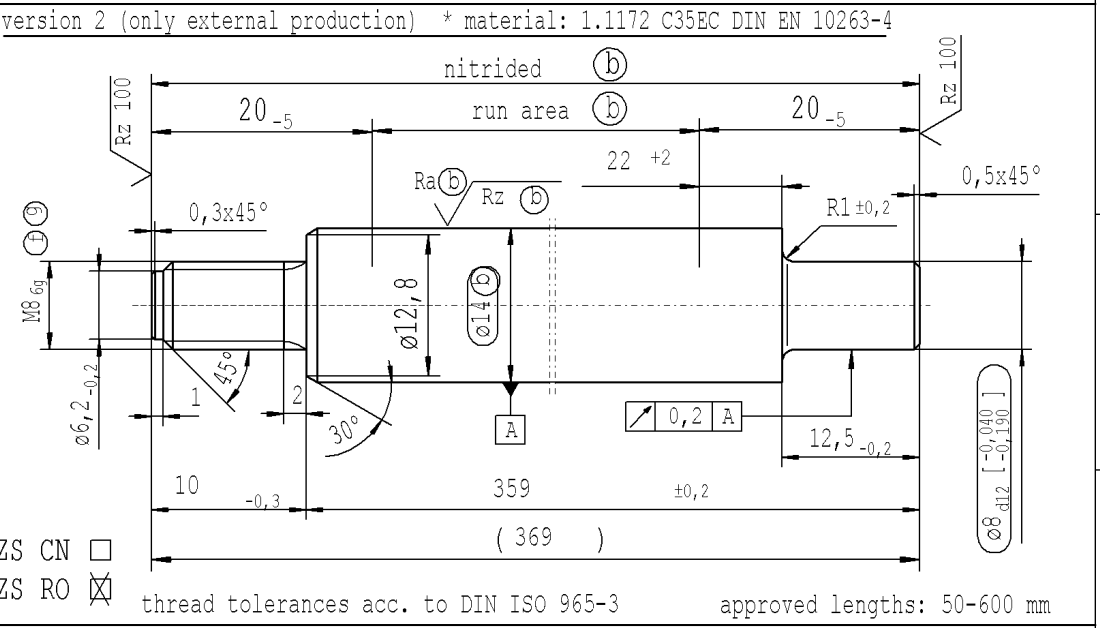
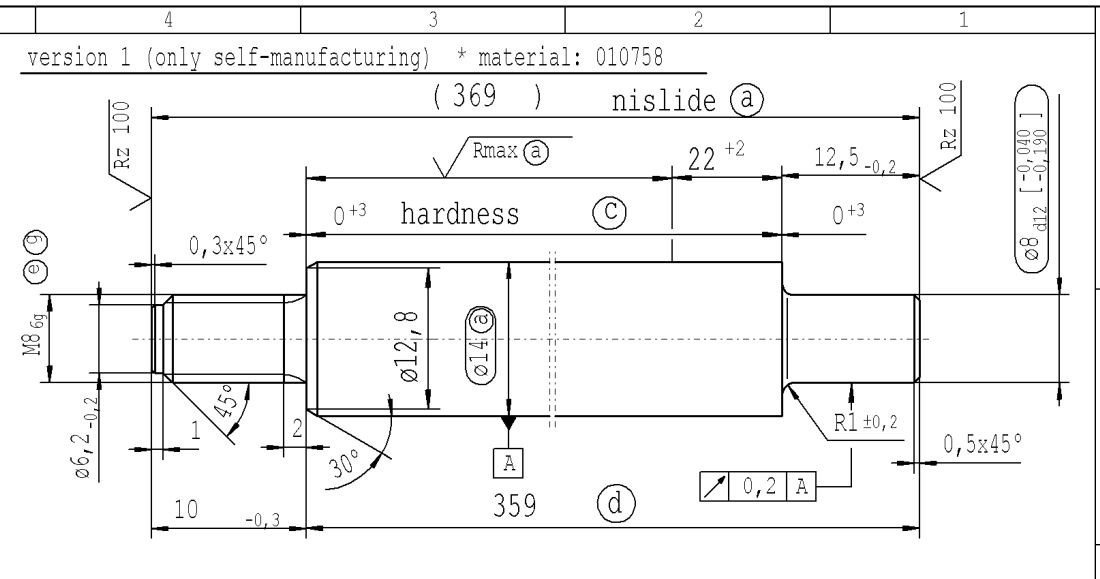
supp. No.	material no.			A	B	D	E
	processing and surface treatment acc. to STAB-Spec.			overall length	thread length	length without	length without endfitting stud
	10006248 Tab. IV version 1	10006248 Tab. X version 1	10028959 Tab. I version 2				
1	244072		244072	369	10	22	359
2	244311		244311	108	15	22	93
3	244550		244550	534	12	10	522

- (c) before grinding: Hardness depth and hardness test acc. to STAB-Spec. 10258370
- (d) tolerances: +0,3 after turning
+0,3 after straightening
+0,3 after nisliding
- (e) threaded stud rough-turned dim. $\phi 7,14_{-0,06}$
thread roll tolerance 6e
thread tolerances acc. to DIN ISO 965-3
- (f) rough-turned dim. thread roll tolerance 6e
- (g) In the final condition, the actual profile of the thread must not exceed the maximum material limit for the tolerance zone position h at any point

Caution!
for twin-seal dim. D=10 +2

AIAG CQI-standards acc. to STAB-Spec. 10027692

DE: X	EN: X	ES:	IT:	PR:	FR:	RO: X	CAD created document handwritten changes not permitted
new	INITIAL RELEASE						
old	-						
Field	-						
Date/Name	25.04.2022 Hein						
Chg. No.	-						
Rev.	0						



ZS CN
ZS RO thread tolerances acc. to DIN ISO 965-3 approved lengths: 50-600 mm

$\sqrt{Rz\ 25}$ ($\sqrt{Rz\ 100}$ $\sqrt{Rmax\ (a)}$ $Ra\ (b)$ $Rz\ (b)$) $\begin{matrix} +0,2 \\ +0,1 \end{matrix}$ $\begin{matrix} -0,2 \\ -0,1 \end{matrix}$

sheet 1 of 1

Material: *		All dimensions are in mm		Marking of special characteristics according to STAB-Spec. 10270932	
Edge tolerances acc. to DIN ISO 13715		Scale: (Original DIN A3) 2:1		Date: 25.04.2022	
Surface finish DIN EN ISO 1302		Dimensions without tolerances DIN ISO 2768 mK		Name: Hein	
Replaces:		We reserve all rights to this document, to any patents or patent registrations related hereto, and to the duplication, retransmission by third parties and misc. use. Any use of this document is not permitted without the written consent of STABILUS.		Checked: 25.04.2022	
STABILUS		PISTON ROD		Document No.: 10306457	
				Material No.:	