

The print-out is not subject to the modification service.

Intended for internal and supplier use

EN

Ident. Doc. :
Brevell Datum: 3/4/2023 - 13:44

supp. No.	material no.			A	B	D	E
	10006248 Tab. IV version 1	10006248 Tab. X version 1	10028959 Tab. I version 2	overall length	thread length	length without $\sqrt{R_{max}}$ without $R_{a(D)}$ R_z \textcircled{D}	length without endfitting stud
1	244072		244072	369	10	22	359
2	244311		244311	108	15	22	93
3	244550		244550	534	12	10	522
4	406353		406353	195	35	22	160
5	406592		406592	510	8	10	502
6	406831		406831	186	16	22	170
7	816478		816478	123	13	22	110
8	736175		736175	363	10	22	353
9	761270		761270	237	10	22	227
10	861889		861889	459	10	22	449
11	868820		868820	159	10	22	149
12	874556		874556	366	10	22	356
13	875751		875751	360	12	10	348
14	876229		876229	648	12	10	636
15	878141		878141	213	12	22	201

\textcircled{c} before grinding: Hardness depth and hardness test acc. to STAB-Spec. 10258370

\textcircled{d} tolerances: $+0,3$ after turning;
 $+0,3$ after straightening;
 $+0,3$ after nisliding

\textcircled{e} threaded stud rough-turned dim. $\textcircled{e}7,14_{-0,06}$
thread roll tolerance 6e
thread tolerances acc. to DIN ISO 965-3

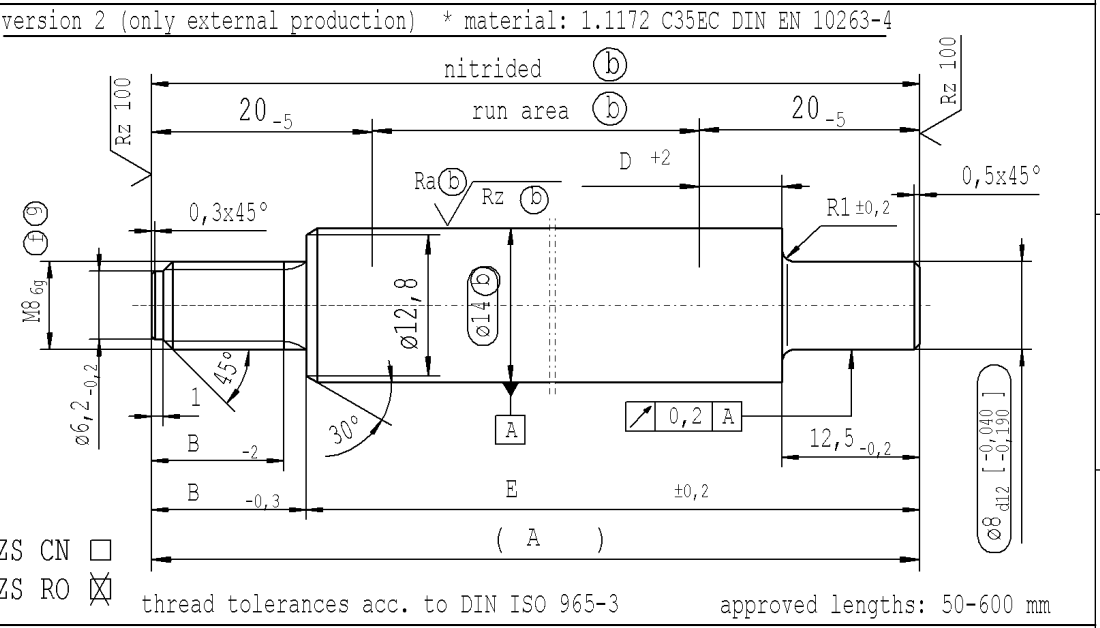
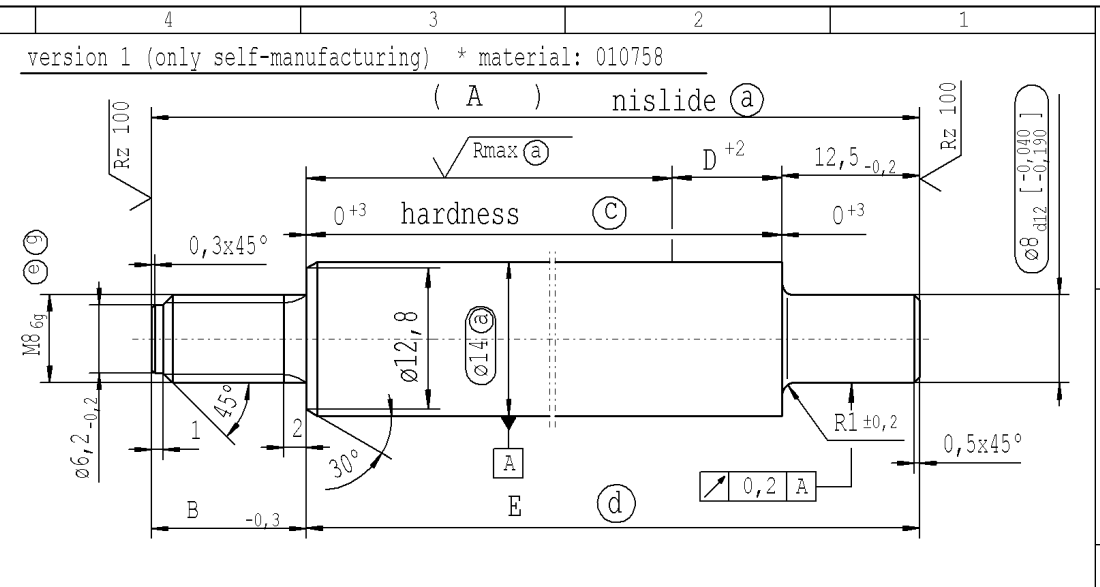
\textcircled{f} rough-turned dim. thread roll tolerance 6e

\textcircled{g} In the final condition, the actual profile of the thread must not exceed the maximum material limit for the tolerance zone position h at any point

Caution!
for twin-seal dim. $D=10^{+2}$

AIAG CQI-standards acc. to STAB-Spec. 10027692

DE: X	EN: X	ES:	IT:	PR:	FR:	RO: X	CAD created document; handwritten changes not permitted
new	INITIAL RELEASE	dimension B -2					
old	-	2					
Field	-	C/4					
Date/Name	25.04.2022 Hein	29.09.2022 Hein					
Chg. No.	-	715727					
Rev.	0	1					



ZS CN
ZS RO thread tolerances acc. to DIN ISO 965-3 approved lengths: 50-600 mm

$\sqrt{R_z 25}$ ($\sqrt{R_z 100}$ $\sqrt{R_{max} \textcircled{a}}$ $R_a \textcircled{b}$ $R_z \textcircled{b}$) $\begin{matrix} +0,2 \\ \swarrow \\ +0,1 \end{matrix}$ $\begin{matrix} -0,2 \\ \searrow \end{matrix}$

sheet 1 of 5

Material: *		All dimensions are in mm		Marking of special characteristics according to STAB-Spec. 10270932		Date	Name
Edge tolerances acc. to DIN ISO 13715		Scale: (Original DIN A3) 2:1		Dimensions without tolerances DIN ISO 2768 mK		25.04.2022	Hein
Surface finish DIN EN ISO 1302		We reserve all rights to this document, to any patents or patent registrations related hereto, and to the duplication, retransmission by third parties and misc. use. Any use of this document is not permitted without the written consent of STABILUS.		Document No.:		10306457	
Replaces:		STABILUS		PISTON ROD		Material No.:	