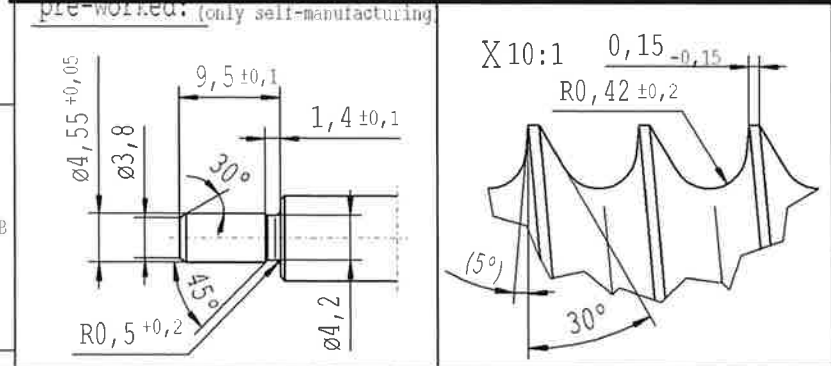
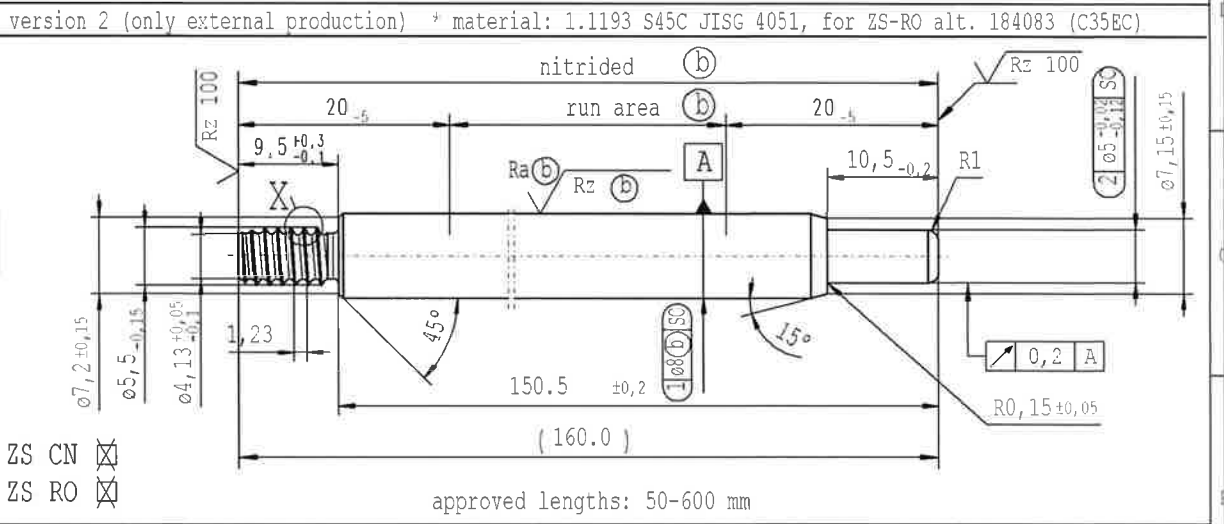
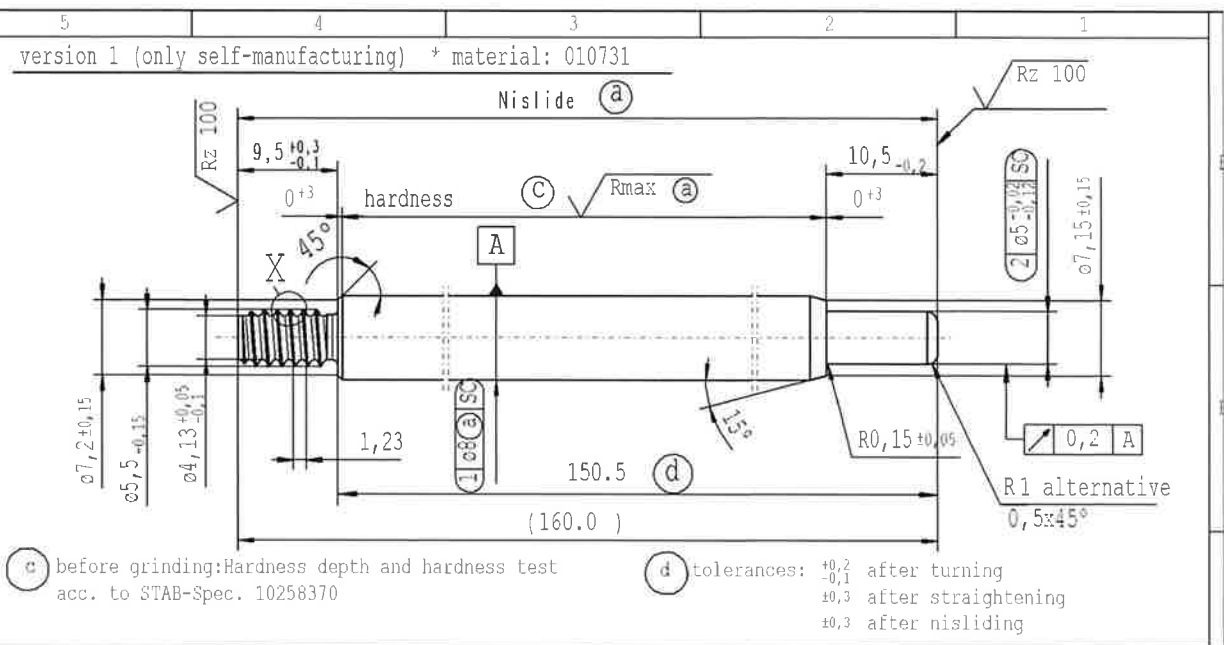


The print-out is not subject to the modification service.

CONFIDENTIAL! Intended for internal and supplier use

EN

supp. No.	material no.			A	E
	10006248 Tab. XVI optimized version 1	10006248 Tab. X version 1	10028959 Tab. I version 2	overall length	length without endfitting stud
171	787317	787317	787317	225.0	215.5
172	788034	788034	788034	93.0	83.5
173	788512	788512	788512	230.5	221.0
174	788990	788990	788990	244.0	234.5
175	789946	789946	789946	426.0	416.5
176	791141	791141	791141	151.5	142.0
177	792814	792814	792814	148.5	139.0
178	793770	793770	793770	342.0	332.5
179	798550	798550	798550	137.0	127.5
180	822689	822689	822689	417.0	407.5
182	838463	838463	838463	378.0	368.5
183	839658	839658	839658	330.0	320.5
184	841809	841809	841809	124.0	114.5
185	843721	843721	843721	233.0	223.5
186	844677	844677	844677	283.0	273.5
187	846111	846111	846111	187.5	178.0
188	846828	846828	846828	174.0	164.5
189	853759	853759	853759	296.0	286.5
190	855193	855193	855193	160.0	150.5



ZS CN
 ZS RO

sheet 9 of 12

Ident. Doc.:

DE: X EN: X ES: X IT: PR: X FR: RO: X						CAD created document handwritten changes not permitted			Material: 1		All dimensions are in mm		Marking of special characteristics according to STAB-Spec. 10270932		Date: 05.12.2007		Name: Höfer	
new version 2, for ZS-RO alt. 184083 (C35EC)						05.12.2007 Span. version created no technical change, no new first sample required			Edge tolerances acc. to DIN ISO 13715		Scale: (Original DIN A3) 2:1		Dimensions without tolerances DIN ISO 2768-mK		Checked: 29.01.2024		Klinkner	
old -						05.12.2007			Surface finish DIN EN ISO 1302		We reserve all rights to this document, to any patents or patent registrations related hereto, and to the duplication, retransmission by third parties and misc. use. Any use of this document is not permitted without the written consent of STABILUS.		Document No.: 10151066					
Field D/1-5									Replaces:		PISTON ROD		Material No.:					
Date/Name 01.08.2023 Jablonski						29.01.2024 Jablonski			STABILUS									
Chg. No. 725208						730057												
Rev. 15						15												