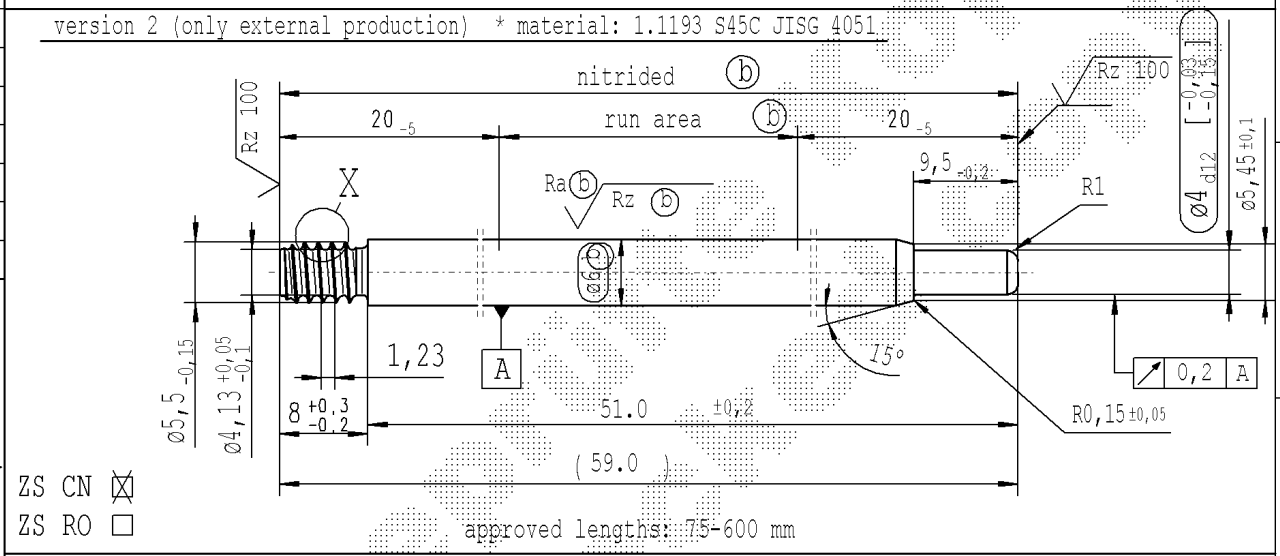
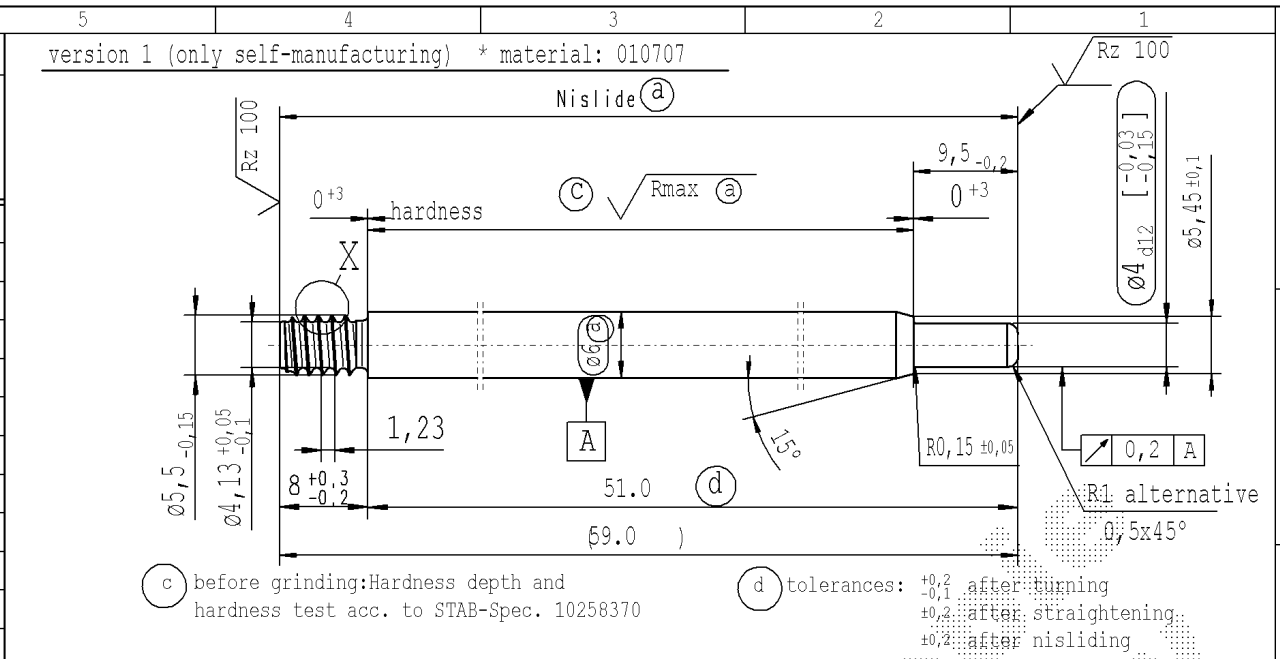
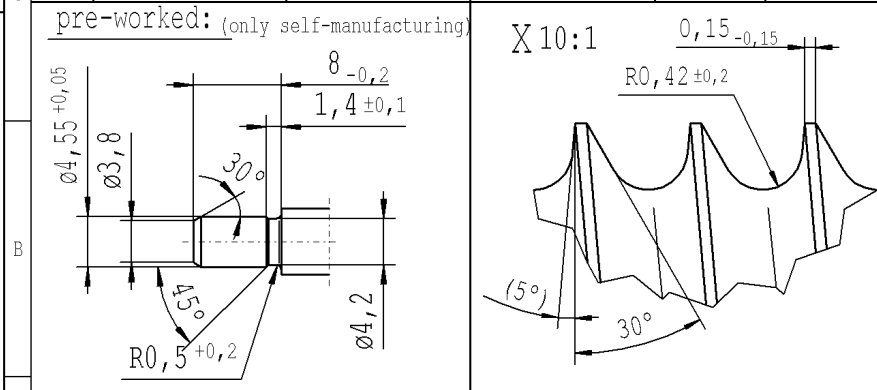


The print-out is not subject to the modification service.

Intended for internal and supplier use

Ident. Doc.:
Date: 9/11/2022 - 13:50

supp No.	material no.			A	E
	processing and surface treatment acc. to STAB-Spec.			overall length	length without endfitting stud
	10006248 Tab. XVI optimized version 1	10006248 Tab. X version 1	10028959 Tab. I version 2		
41	827465	827465	827465	137.5	129.5
42	500514	500514	500514	198.0	190.0
43	522263	522263	522263	162.0	154.0
44	524414	524414	524414	119.0	111.0
45	524892	524892	524892	84.0	76.0
46	544490	544490	544490	156.0	148.0
47	553333	553333	553333	143.5	135.5
48	576994	576994	576994	190.0	182.0
49	590856	590856	590856	108.0	100.0
50	595158	595158	595158	168.0	160.0
51	604479	604479	604479	173.0	165.0
52	636745	636745	636745	66.0	58.0
53	134130	134130	134130	97.5	89.5
54	174522	174522	174522	150.0	142.0
55	937412	937412	937412	80.0	72.0
56	953664	953664	953664	132.0	124.0
57	965853	965853	965853	59.0	51.0
58	983539	983539	983539	136.5	128.5
59	984734	984734	984734	105.0	97.0



AIAG CQI-standards acc. to STAB-Spec. 10027692				Environmental protection acc. to STAB-Spec. 10005649								
DE: X	EN: X	ES:	IT:	PR:	FR:	RO: X	CAD created document handwritten changes not permitted	Material: *	All dimensions are in mm	Marking of special characteristics according to STAB-Spec. 10270932	Date	Name
new	approved lengths: 75-600mm (5°) ZS CN / ZS RO			Tab.XVI Tab. X no technical change, no new first sample required				Scale: (Original DIN A3) 2:1	Dimensions without tolerances		07.12.2007	Höfer
old	approved lengths: 80-600mm 5°			Tab.IV				Edge tolerances acc. to DIN ISO 13715	DIN ISO 2768-mK		10.10.2022	Schnass
Field	B/3-4 B/5-7							Surface finish: DIN EN ISO 1302				
Date/Name	08.09.2022 Hein			10.10.2022 Jablonski				Replaces:				Document No.: 10151336
Chg. No.	692998			715956								Material No.:
Rev.	11			11				STABILUS	PISTON ROD			

sheet 3 of 7