

The print-out is not subject to the modification service.

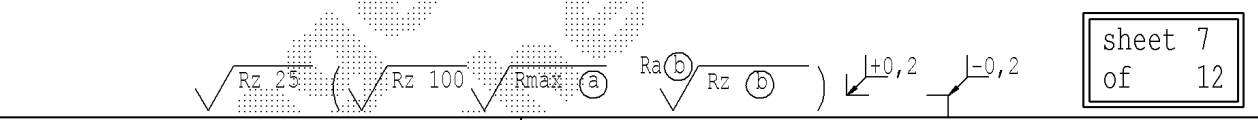
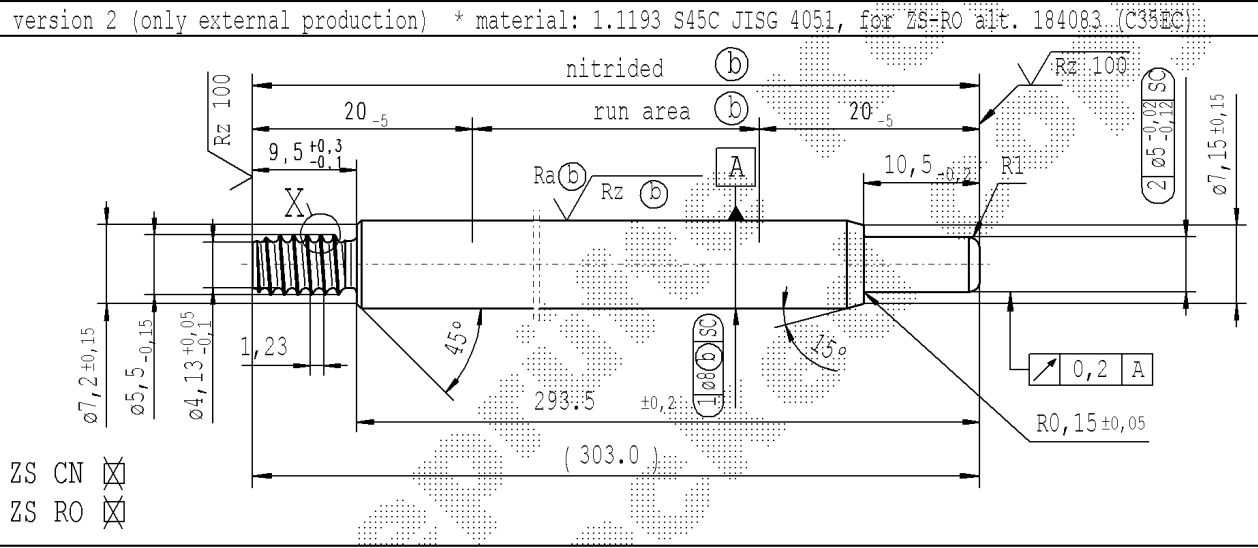
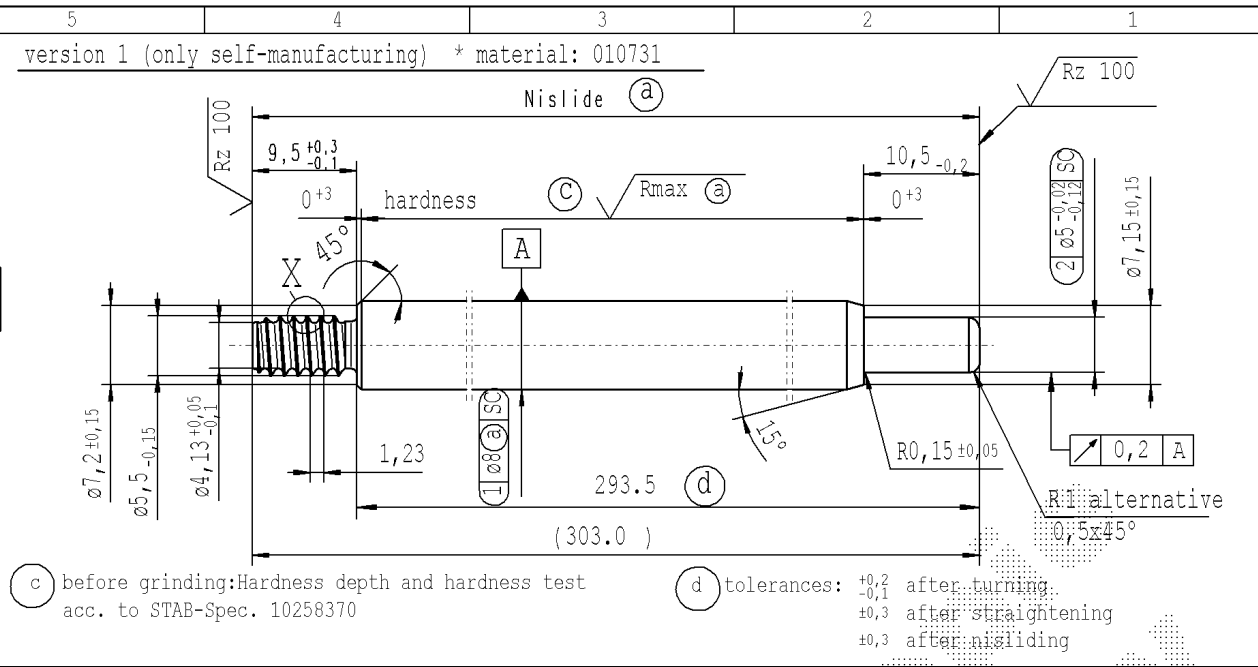
CONFIDENTIAL! Intended for internal and supplier use

EN

B

Ident. Doc.:

supp No.	material no.			A	E
	10006248 Tab. XVI optimized version 1	10006248 Tab. X version 1	10028959 Tab. I version 2	overall length	length without endfitting stud
128	718477	718477	718477	279.0	269.5
129	824355	824355	824355	288.0	278.5
130	248844	248844	248844	303.0	293.5
131	301425	301425	301425	126.0	116.5
133	183839	183839	183839	315.0	305.5
134	272030	272030	272030	90.0	80.5
138	529672	529672	529672	264.5	255.0
139	684067	684067	684067	103.0	93.5
140	151576	151576	151576	224.0	214.5
141	400376	400376	400376	211.5	202.0
142	451044	451044	451044	235.5	226.0
143	451522	451522	451522	133.0	123.5
144	453195	453195	453195	100.0	90.5
145	458214	458214	458214	115.5	106.0
147	474705	474705	474705	87.0	77.5
148	495259	495259	495259	186.0	176.5
149	506014	506014	506014	336.0	326.5
150	509599	509599	509599	88.5	79.0
151	519398	519398	519398	324.0	314.5



AIAG CQI-standards acc. to STAB-Spec. 10027692

Environmental protection acc. to STAB-Spec. 10005649

DE: X	EN: X	ES: X	IT:	PR: X	FR:	RO: X	CAD created document handwritten changes not permitted	Material:	All dimensions are in mm	Marking of special characteristics according to STAB-Spec. 10270932	Date	Name			
new	Text "approved lengths: ... mm" deleted no technical change, no new first sample required							Edge tolerances acc. to DIN ISO 13715	Scale: (Original DIN A3) 2:1	Dimensions without tolerances	DIN ISO 2768-mK	Drawn by	05.12.2007	Höfer	
old	-							Surface finish: DIN EN ISO 1302	We reserve all rights to this document, to any patents or patent registrations related hereto, and to the duplication, retransmission by third parties and misc. use. Any use of this document is not permitted without the written consent of STABILUS.				Checked	22.07.2024	Klinkner
Field	-							Replaces:	Document No.:				10151066		
Date/Name	22.07.2024 Jablonski							Material No.:				-			
Chg. No.	733040							STABILUS				PISTON ROD			
Rev.	15														

sheet 7 of 12