

The print-out is not subject to the modification service.

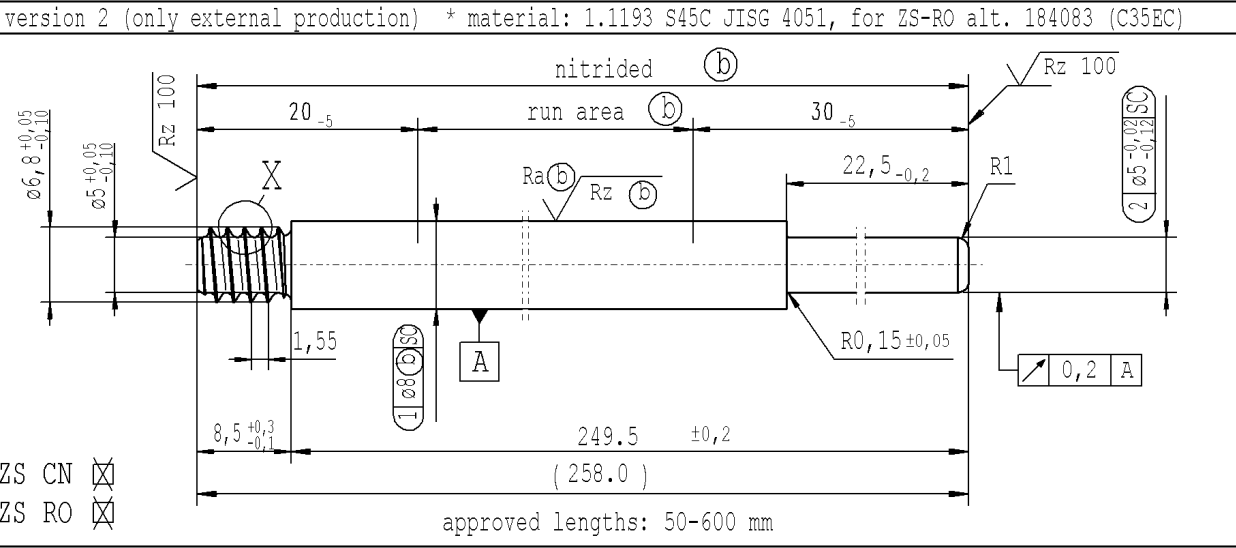
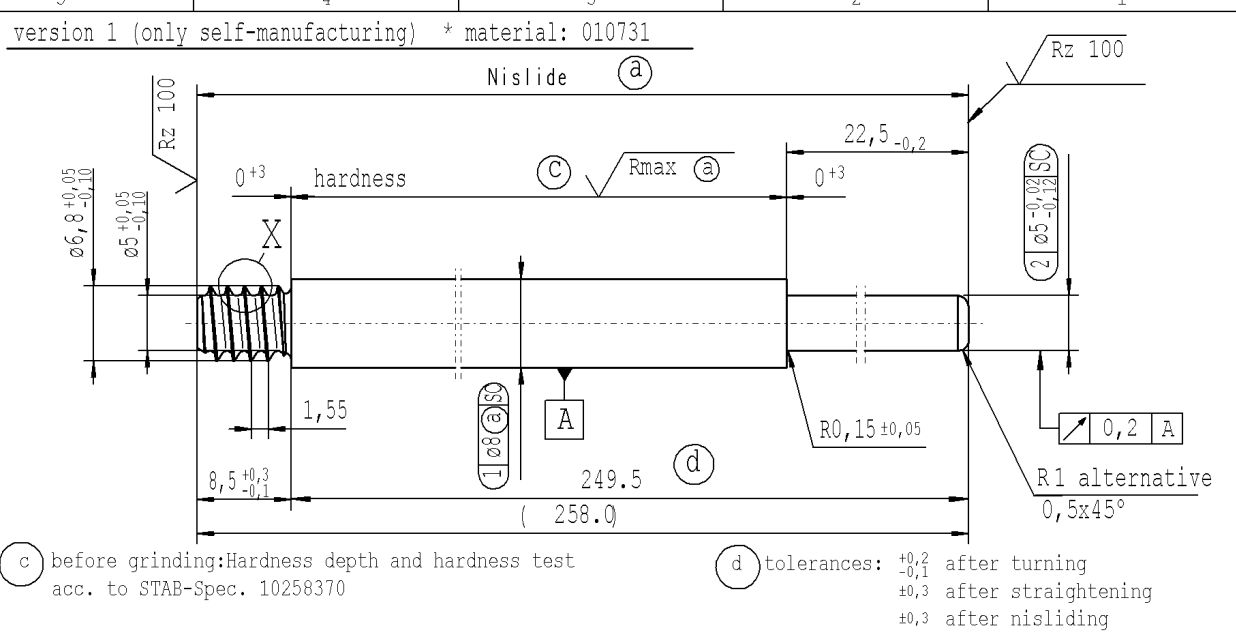
CONFIDENTIAL! Intended for internal and supplier use

EN

Brevé d'invention: 29/5/2024 - 7:8

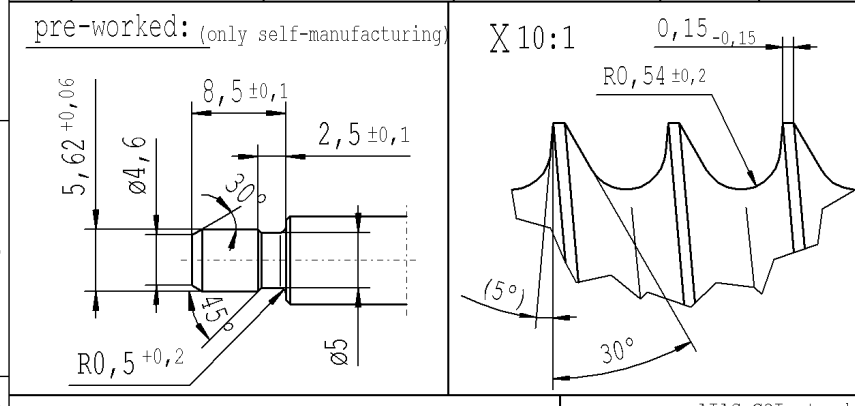
Ident. Doc.:

supp No.	material no.			A	E
	10006248 Tab. XVI optimized version 1	10006248 Tab. X version 1	10028959 Tab. I version 2	overall length	length without endfitting stud
4	923521	923521	923521	258.0	249.5
5	719425	719425	719425	255.0	246.5
6	720620	720620	720620	306.0	297.5
7	430958	430958	430958	195.0	186.5
8	323178	323178	323178	357.0	348.5
9	459647	459647	459647	270.0	261.5
10	460364	460364	460364	162.0	153.5
11	466578	466578	466578	369.0	360.5
12	468012	468012	468012	207.0	198.5
13	468729	468729	468729	384.0	375.5
14	470880	470880	470880	177.0	168.5
15	479723	479723	479723	264.0	255.5
16	496453	496453	496453	267.0	258.5
17	500994	500994	500994	219.0	210.5
18	505057	505057	505057	294.0	285.5
19	506252	506252	506252	147.0	138.5
20	527284	527284	527284	150.0	141.5
21	531108	531108	531108	321.0	312.5
22	609739	609739	609739	198.0	189.5



ZS CN  ZS RO

$\sqrt{Rz\ 25}$  ( $\sqrt{Rz\ 100}$   $\sqrt{Rmax}$  (a)  $Ra$  (b)  $Rz$  (b))  $\pm 0.2$   $-0.2$



AIAG CQI-standards acc. to STAB-Spec. 10027692				Environmental protection acc. to STAB-Spec. 10005649									
DE: X	EN: X	ES:	IT:	PR:	FR:	RO: X	CAD created document handwritten changes not permitted	Material: *	All dimensions are in mm	Marking of special characteristics according to STAB-Spec. 10270932	Date	Name	
new	version 2 .... , for ZS-RO alt. 184083 (C35EC)						$\varnothing 5_{-0.02}^{-0.12}$ no technical change, no new first sample required		Scale: (Original DIN A3) 2:1	Dimensions without tolerances DIN ISO 2768-mK	29.04.2008	Hein	
old	-						$\varnothing 5_{-0.020}^{-0.120}$	Edge tolerances acc. to DIN ISO 13715			Checked	17.01.2024	Klinkner
Field	D/1-5							Surface finish DIN EN ISO 1302	We reserve all rights to this document, to any patents or patent registrations related hereto, and to the duplication, retransmission by third parties and misc. use. Any use of this document is not permitted without the written consent of STABILUS.			Document No.:	10154879
Date/Name	25.07.2023 Jablonski		17.01.2024 Donat					Replaces:	STABILUS			Material No.:	
Chg. No.	724814		727329						PISTON ROD				
Rev.	8		8										

