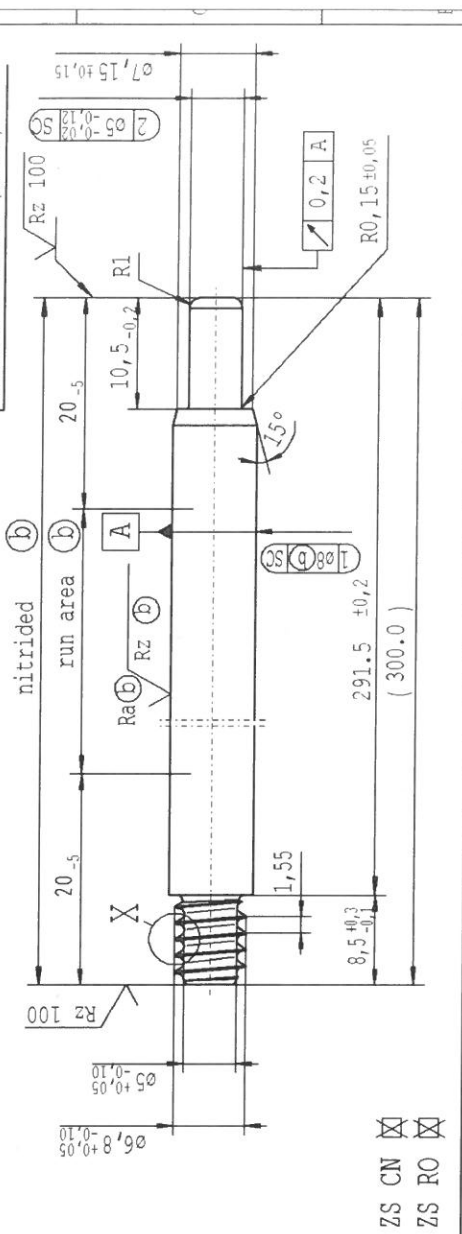


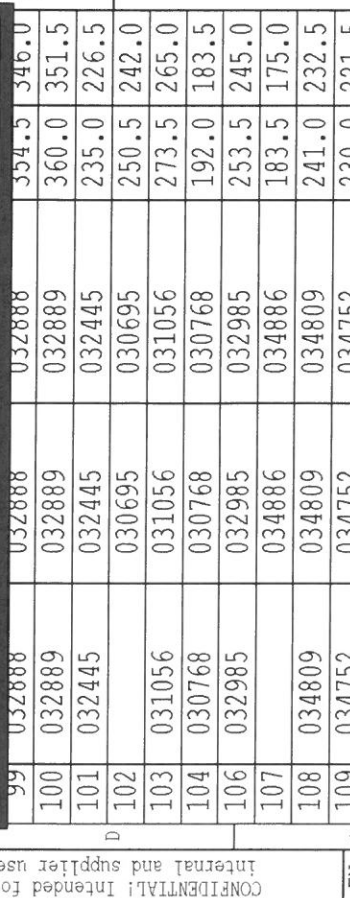
version 1 (only self-manufacturing) * material: 010731
 Nislide (a)
 hardness (C) Rmax (a)
 0+3
 10,5 -0,2
 0+3
 15°
 1,55
 8,5 ±0,3
 291.5 (d)
 (300.0)
 R1 alternative 0,5x45°
 Rz 100
 07,15 ±0,15
 2 05 -0,02 130
 0,2 A
 (c) before grinding: Hardness depth and hardness test
 acc. to STAB-Spec. 10258370
 tolerances: +0,2 after turning
 -0,1
 ±0,3 after straightening
 ±0,3 after nitriding



version 2 (only external production) * material: 1.1193 S45C JISG 4051
 alternatively only for ZS-RO
 material: 184083 (C35EC)
 nitrided (b)
 run area (b)
 20 -5
 20 -5
 10,5 -0,2
 R1
 15°
 1,55
 8,5 ±0,3
 291.5 ±0,2
 (300.0)
 Rz 100
 07,15 ±0,15
 2 05 -0,02 130
 0,2 A
 Ra(B) Rz(B)
 Ra(B) Rz(B)
 Rmax (a) Rz(B)
 +0,2 -0,2

ZS CN
 ZS RO
 sheet 5 of 20

supp No.	material no.	A	E
processing and surface treatment acc. to STAB-Spec. 10006248 Tab. XVI 10028939 Tab. I	overall length	length without endfitting stud	
optimized version 1 (a) version 2 (b)			
87	014448	230.5	222.0
88	014693	233.5	225.0
89	020333	238.0	229.5
93	027057	207.0	198.5
94	027174	160.5	152.0
95	027173	337.5	329.0
96	031878	299.0	290.5
97	032886	181.0	172.5
98	032887	300.0	291.5
99	032888	354.5	346.0
100	032889	360.0	351.5
101	032445	235.0	226.5
102	030695	250.5	242.0
103	031056	273.5	265.0
104	030768	192.0	183.5
106	032985	253.5	245.0
107	034886	183.5	175.0
108	034809	241.0	232.5
109	034752	230.0	221.5



pre-worked: (only self-manufacturing)
 X 10:1
 0,15 -0,15
 R0,54 ±0,2
 30°
 5°
 8,5 ±0,1
 2,5 ±0,1
 5,62 ±0,06
 R0,5 ±0,2

Environmental protection acc. to STAB-Spec. 10005649

Material: *
 All dimensions are in mm
 Scale: (Original DIN A3) 2:1
 Marking of special characteristics according to STAB-Spec. 10270932
 Dimensions without tolerances
 DIN ISO 2768-mk

Edge tolerances acc. to DIN ISO 13715
 Surface finish DIN EN ISO 1302
 Replaces:

ATAG CQI-standards acc. to STAB-Spec. 10027692
 CAD created document handwritten changes not permitted
 Text "approved lengths: ... mm" deleted no technical change, no new first sample required

DE: X EN: X ES: X IT: PR: X FR: RO: X
 new old

Field
 Date/Name 22.07.2024 Jablonski
 Chg. No. 733040
 Rev. 22

STABILUS
 PISTON ROD
 Document No.: 10151065
 Material No.:
 Drawn by 05.12.2007 Hofer
 Checked 22.07.2024 Klöhner