

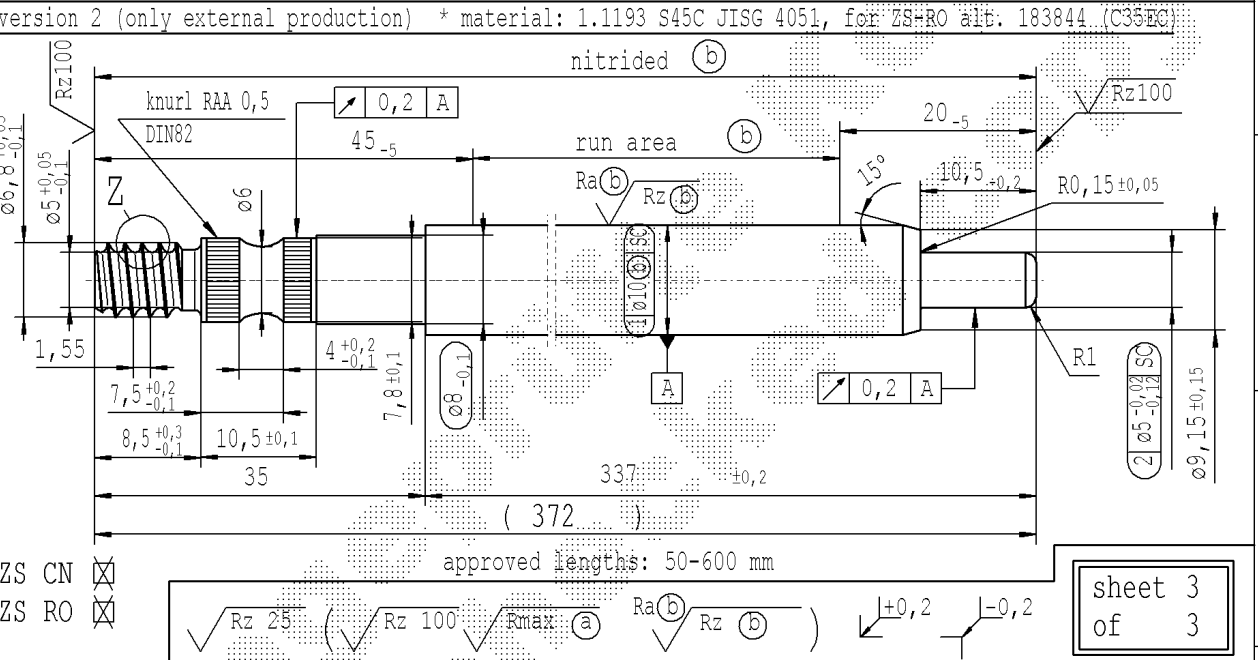
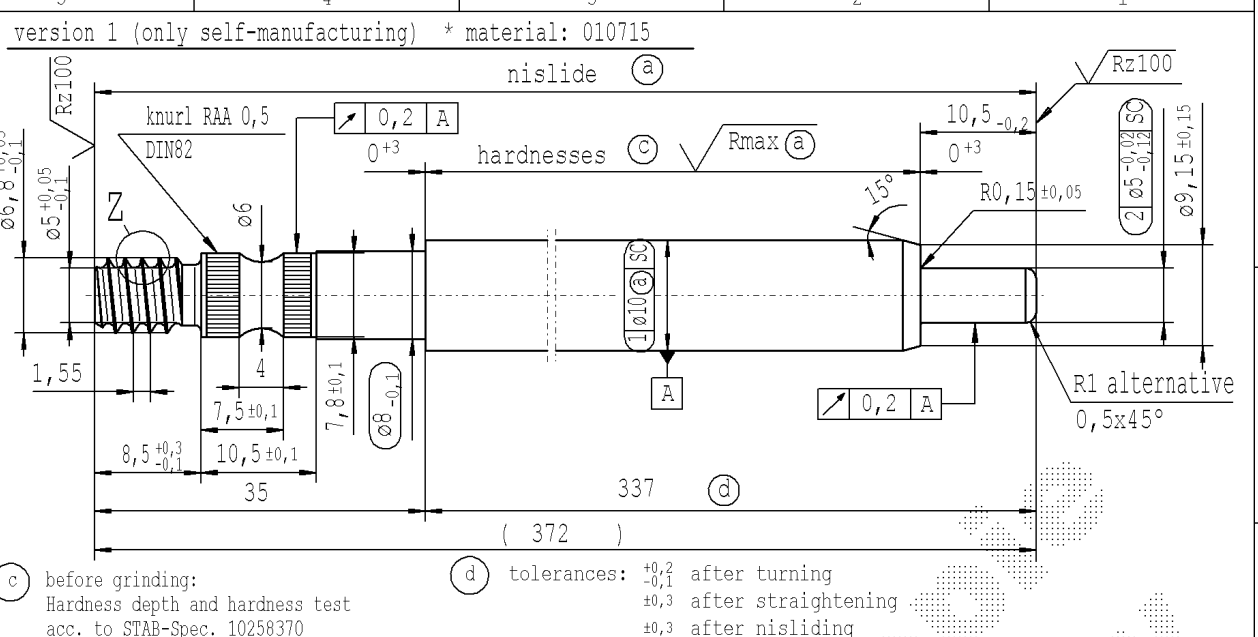
The print-out is not subject to the modification service.

CONFIDENTIAL! Intended for internal and supplier use

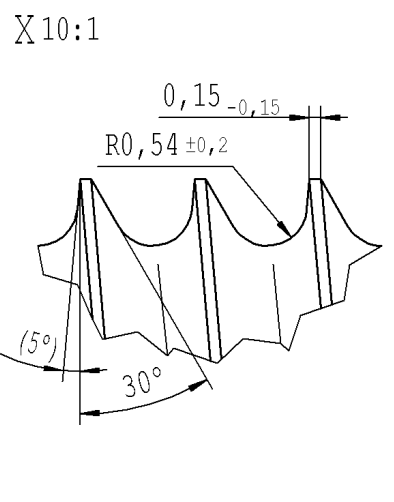
EN

Ident. Doc.:

supp No.	material no.			A	E
	processing and surface treatment acc. to STAB-Spec.			overall length	length without endfitting stud
	10006248 Tab. IV (a) version 1	10006248 Tab. X (a) version 1	10028959 Tab. I (b) version 2		
33	022836	022836	022836	591	556
34	052640	052640	052640	372	337



pre-worked: (only self-manufacturing)



DE: X				EN: X				ES:				IT:				PR:				FR:				RO: X				CAD created document handwritten changes not permitted				Material: *				All dimensions are in mm				Marking of special characteristics according to STAB-Spec. 10270932				Date: 10.05.2021				Name: C.Hein			
new				ZS CN+RO				ø5 <sup>-0,02</sup> <sub>-0,12</sub>				no technical change, no new first sample required																				Drawn by: 08.02.2024				Klinkner															
old				ZS RO				ø5 <sup>-0,02</sup> <sub>-0,120</sub>																																											
Field				B5																																															
Date/Name				02.01.2024 Jablonski								08.02.2024 Jablonski																																							
Chg. No.				729342																																															
Rev.				3																																															
AIAG CQI-standards acc. to STAB-Spec. 10027692																Environmental protection acc. to STAB-Spec. 10005649																																			
STABILUS																PISTON ROD																																			
sheet 3 of 3																10293644																																			