

The print-out is not subject to the modification service.

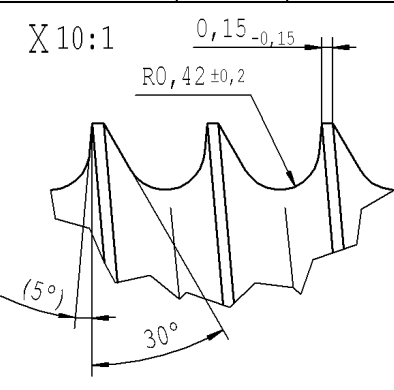
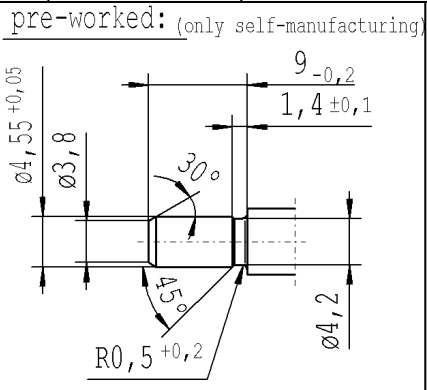
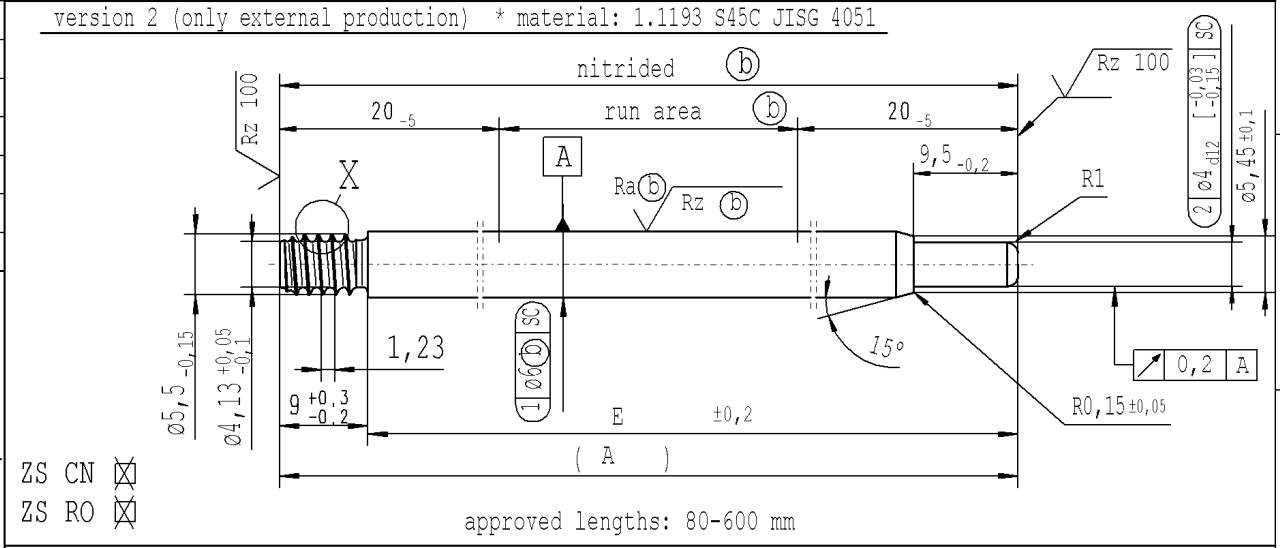
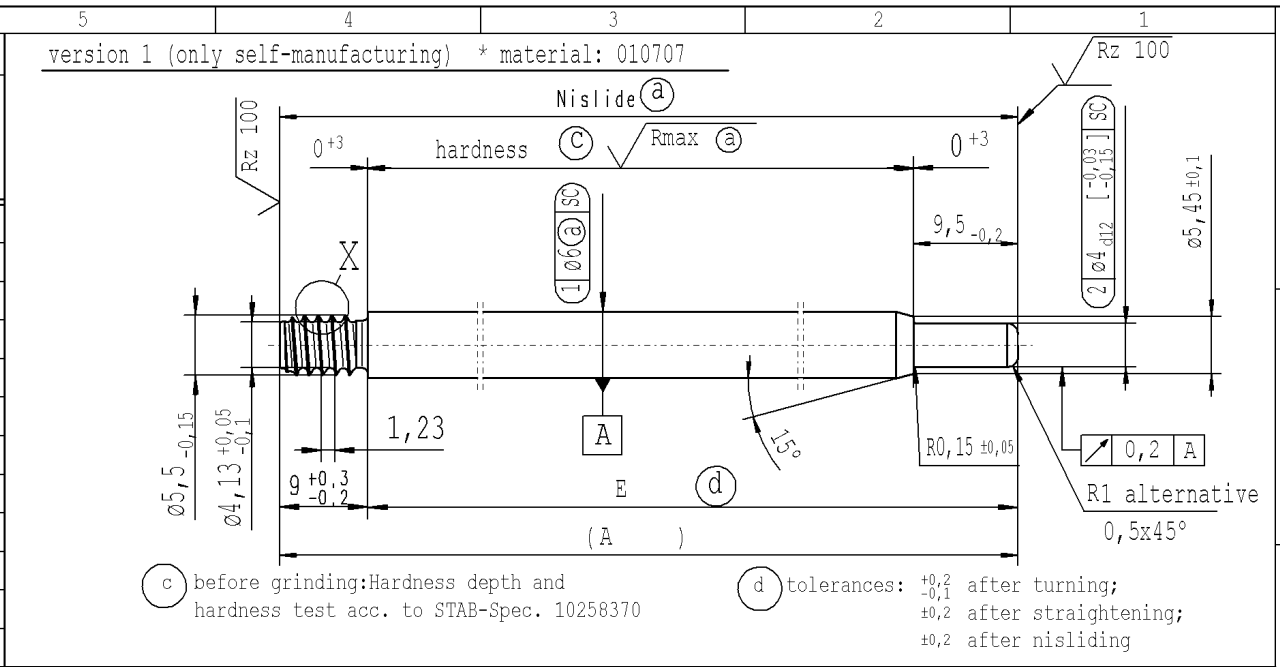
CONFIDENTIAL! Intended for internal and supplier use

EN

Brevet.datum: 22/05/2024 - 9:21

Ident. Doc.:

supp No.	material no.			A	E
	10006248 Tab. XVI optimized version 1	10006248 Tab. X version 1	10028959 Tab. I version 2	overall length	length without endfitting stud
1	826004	826004	826004	192	183
2	439546	439546	439546	102	93
3	449823	449823	449823	300	291
4	450062	450062	450062	501	492



AIAG CQI-standards acc. to STAB-Spec. 10027692

DE: X	EN: X	ES:	IT:	PR:	FR:	RO: X	CAD created document; handwritten changes not permitted	Material: *	All dimensions are in mm	Marking of special characteristics according to STAB-Spec. 10270932	Date	Name
new	Tab.XVI; Tab. X; no technical change, no new first sample required						Vers. 2 : ZS CN + RO		Scale: (Original DIN A3) 2:1	Dimensions without tolerances DIN ISO 2768-mK	08.01.2015	Höfer
old	Tab.IV						Vers. 2 : ZS CN	Edge tolerances acc. to DIN ISO 13715			31.10.2023	Klinkner
Field								Surface finish DIN EN ISO 1302				
Date/Name	10.10.2022 Jablonski						16.10.2023 Jablonski	Replaces:				Document No.: 10218547
Chg. No.	715934						727284					Material No.:
Rev.	6						7	<b>STABILUS</b>		<b>PISTON ROD</b>		