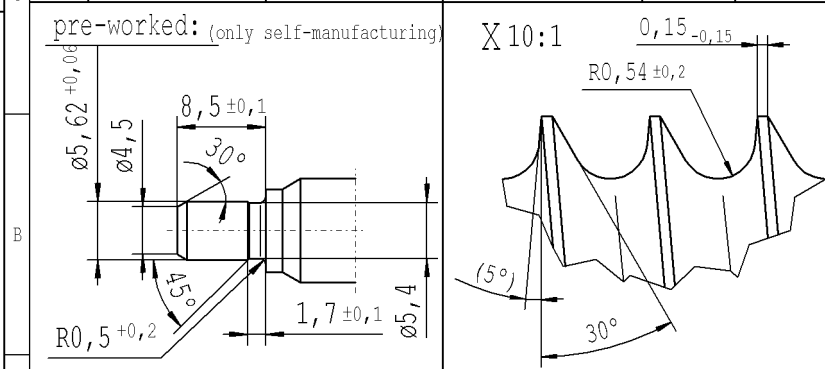
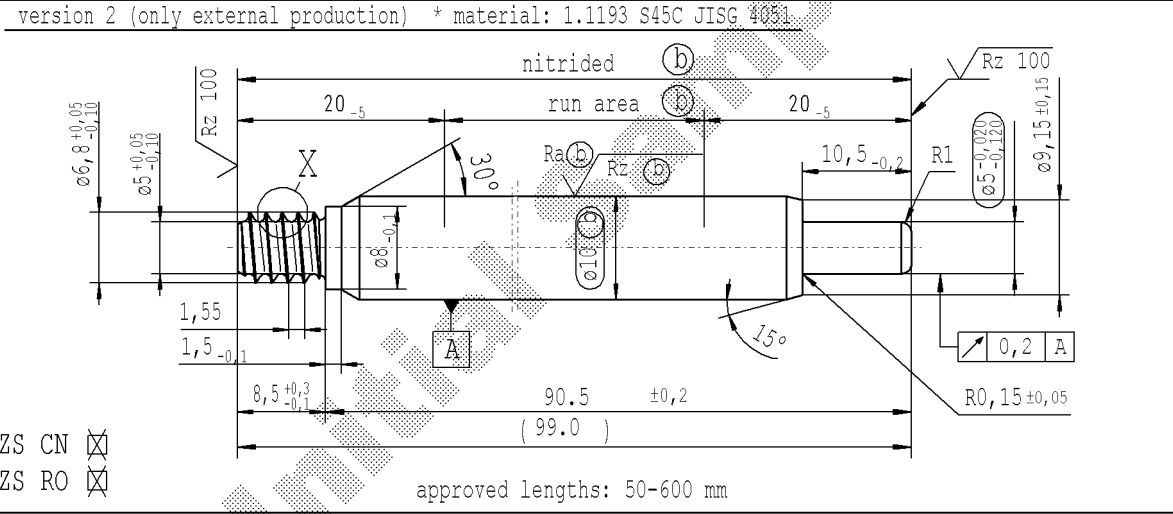
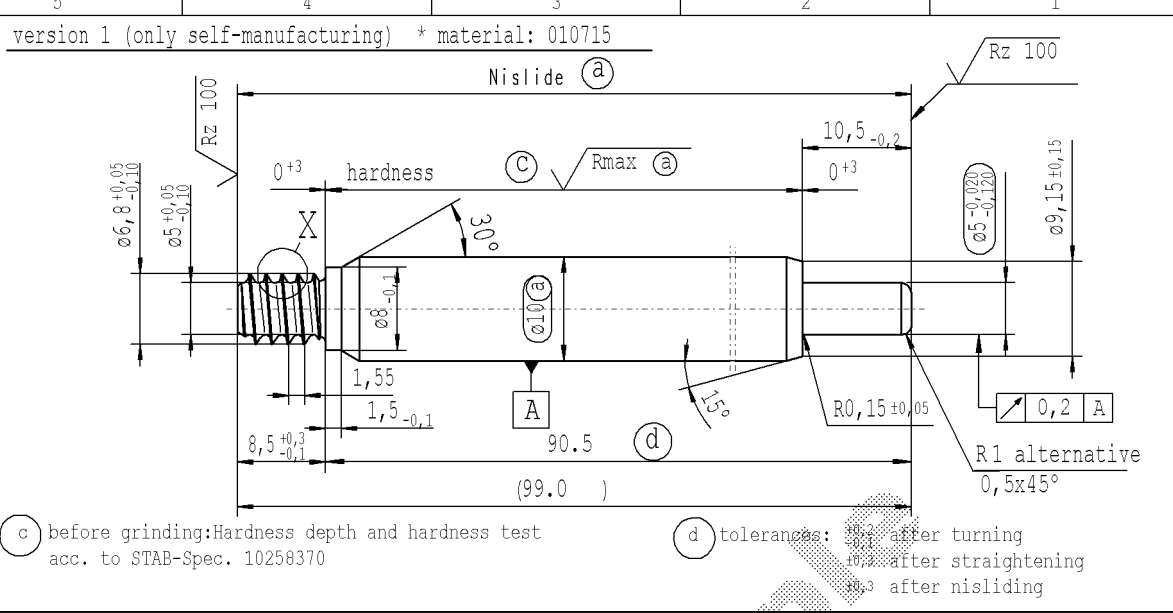


The print-out is not subject to the modification service.

Intended for internal and supplier use

Ident. Doc.: ERF011.dwg; 7/7/2022 - 11:7

supp No.	material no.			A	E
	processing and surface treatment acc. to STAB-Spec. 10006248 Tab. XVI optimized	10006248 Tab. X	10028959 Tab. I		
	(a) version 1	(a) version 1	(b) version 2	overall length	length without endfitting stud
142	058846	058846	058846	99.0	90.5
143	102583	102583	102583	120.0	111.5
144	183604	183604	183604	126.0	117.5
145	235945	235945	235945	141.0	132.5
146	240247	240247	240247	513.0	504.5
147	246461	246461	246461	296.0	287.5
148	323658	323658	323658	528.0	519.5
149	324853	324853	324853	192.0	183.5
150	349231	349231	349231	411.0	402.5
151	356401	356401	356401	207.0	198.5
152	396075	396075	396075	93.0	84.5
153	514141	514141	514141	108.0	99.5
154	043073	043073	043073	342.0	333.5
155	761029	761029	761029	396.0	387.5



AIAG CQI-standards acc. to STAB-Spec. 10027692				Environmental protection acc. to STAB-Spec. 10005649			
DE: X	EN: X	ES:	IT:	PR:	FR:	RO: X	Material: *
new Tab XVI no technical change, no new first sample required				ZS CN / ZS RO no technical change, no new first sample required			
old Tab IV				-			
Field F 8				B/5			
Date/Name 12.08.2021 Donat				10.03.2022 Hein			
Chg. No. 699704				707979			
Rev. 13				13			
CAD created document handwritten changes not permitted				All dimensions are in mm			
Edge tolerances acc. to DIN ISO 13715				Marking of special characteristics according to STAB-Spec. 10270932			
Surface finish DIN EN ISO 1302				Scale: (Original DIN A3) 2:1			
Replaces:				Dimensions without tolerances DIN ISO 2768-mK			
STABILUS				We reserve all rights to this document, to any patents or patent registrations related hereto, and to the duplication, retransmission by third parties and misc. use. Any use of this document is not permitted without the written consent of STABILUS.			
PISTON ROD				Document No.: 10151520			
				Date 17.12.2007 Name C.Hein			
				Checked 11.03.2022 Klinkner			
				Material No.:			

sheet 8 of 8