

The print-out is not subject to the modification service.

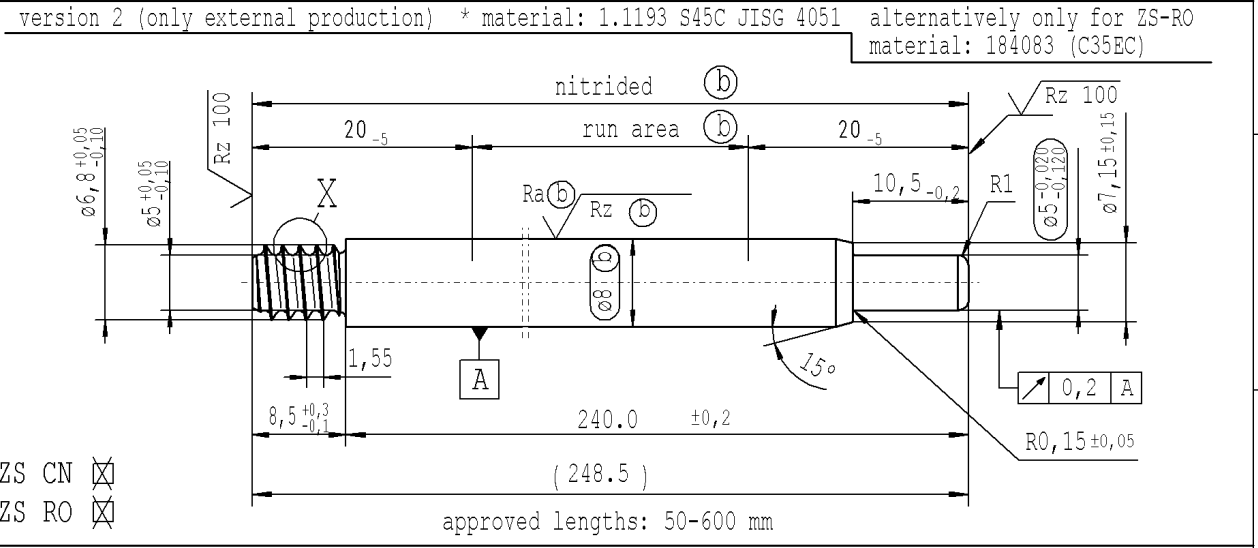
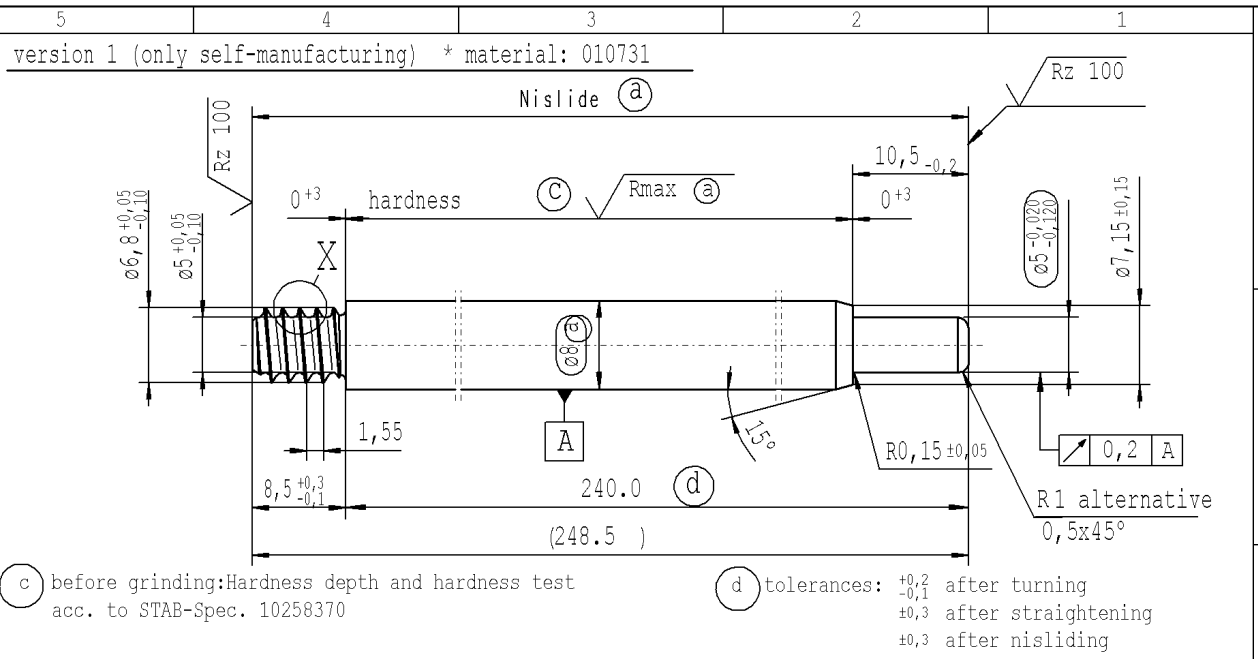
Intended for internal and supplier use

EN

Brevell.datum: 17/7/2023 - 10:54

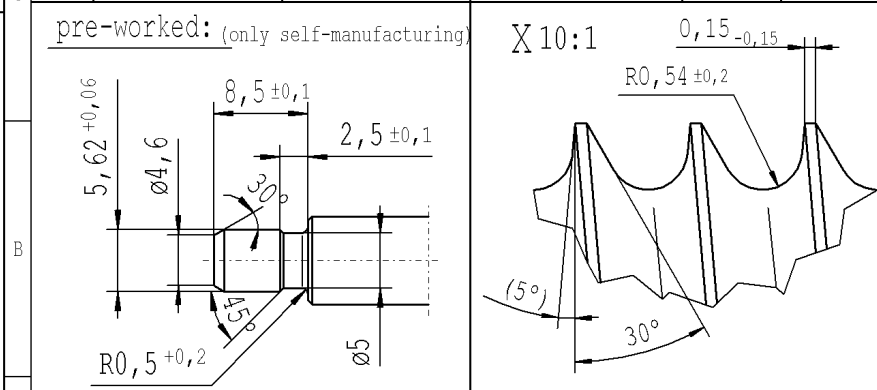
Ident. Doc.:

supp No.	material no.			A	E
	processing and surface treatment acc. to STAB-Spec. 10006248 Tab. XVI optimized version 1	10006248 Tab. X version 1	10028959 Tab. I version 2	overall length	length without endfitting stud
404	628383	628383	628383	120.5	112.0
405	628861	628861	628861	489.0	480.5
406	716335	716335	716335	172.5	164.0
407	897736	897736	897736	200.0	191.5
408	065778	065778	065778	193.0	184.5
409	044747	044747	044747	239.5	231.0
410		380303	380303	240.0	231.5
411	502193	502193	502193	227.0	218.5
<b>412</b>	<b>503627</b>	<b>503627</b>	<b>503627</b>	<b>248.5</b>	<b>240.0</b>
413	507212	507212	507212	233.0	224.5
414	701520	701520	701520	333.5	325.0
415	702476	702476	702476	344.0	335.5
416	934306	934306	934306	100.0	91.5
417	127204	127204	127204	84.0	75.5
418	169746	169746	169746	112.5	104.0
419	186476	186476	186476	208.0	199.5
420	188149	188149	188149	326.5	318.0
421	318404	318404	318404	168.5	160.0



pre-worked: (only self-manufacturing) X 10:1

$\sqrt{Rz 25}$  ( $\sqrt{Rz 100}$   $\sqrt{Rmax}$  (a)  $Ra$  (b)  $Rz$  (b))  $\pm 0,2$   $\pm 0,2$



AIAG CQI-standards acc. to STAB-Spec. 10027692				Environmental protection acc. to STAB-Spec. 10005649									
DE: X	EN: X	ES:	IT:	PR: X	FR:	RO: X	CAD created document handwritten changes not permitted	Material: *	All dimensions are in mm	Marking of special characteristics according to STAB-Spec. 10270932	Date	Name	
new	ZS CN / ZS RO no technical change, no new first sample required			version 2 .... alternatively only for ZS-RO material: 184083 (C35EC)					Scale: (Original DIN A3) 2:1	Dimensions without tolerances DIN ISO 2768-mK	Drawn by	05.12.2007	Höfer
old											Checked	26.07.2022	Klinkner
Field	B/5			D/1-5							Document No.: 10151065		
Date/Name	10.03.2022 Hein			26.07.2022 Hein							Material No.:		
Chg. No.	707979			713498									
Rev.	21			22									
<b>STABILUS</b>								<b>PISTON ROD</b>					